

LIST OF CLADDING DETAIL GROUPS

Substrate Group 02 - FRT Wood Stud Base Wall

Continuous Insulation As Water-Resistive Barrier and Air Barrier Over FRT Wood Studs

Detail Group SA - Self-Adhered Tape and Flashing

R-SEAL 3000 and R-SEAL 6000

Neutral Cladding and Masonry Cladding

Details using self-adhered tape and flashing.

EM-SA-02-N Series Drawings

EM-SA-02-M Series Drawings

Detail Group LF - Liquid Flashing

R-SEAL 2000 LF

Neutral Cladding and Masonry Cladding

Details using liquid flashing.

EM-LF-02-N Series Drawings

EM-LF-02-M Series Drawings

Detail Group U - Universal Flashing

R-SEAL 2000 LF and R-SEAL 6000

Stucco, Fiber Cement and Metal Panel Systems

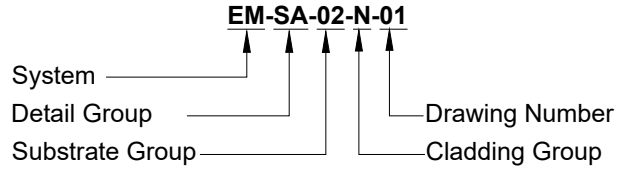
Details using all options for cladding attachment points.

EM-U-02-ST Series Drawings

EM-U-02-FC Series Drawings

EM-U-02-MP Series Drawings

DRAWING NUMBER NOMENCLATURE



System

EM = ECOMAXci® Wall Solution

Detail Group

G = General Information

SA = Self-Adhered Tape and Flashing

LF = Liquid Flashing

U = Universal Flashing

Substrate Group

01 = Steel Stud

02 = FRT Wood Stud

03 = Concrete and CMU

04 = Reserved for Future

Cladding Group

G = General Information

N = Neutral

M = Masonry (Brick, CMU, Stone, etc.)

ST = Stucco

FC = Fiber Cement

MP = Metal Panels


Detail Color Scheme

Red = Self-Adhered Tape and Flashing (by Rmax)

Green = Liquid Flashing (by Rmax)

Cyan = Sealing Materials (by others)

These details are graphical representation, not necessarily to scale and various features may be exaggerated. These details are intended to supplement the ECOMAXci® Wall Solution Installation Instructions located at www.Rmax.com, which should be consulted for additional guidance and installation requirements. Where discrepancies occur, the installation instructions supersede these details.


| | | | | |
|--|--|--|-----------------------------------|---------------------------|
|  <p>Rmax 2075 Midway Road Lewisville, TX 75056 Phone: (972)-850-3604 Email: Technical@Rmax.com</p> | DRAWING NAME: GENERAL INFORMATION | | | |
| | List of Cladding Detail Groups & Drawing Number Nomenclature | | | |
| SCALE: NOT APPLICABLE | REV. DATE: 07-10-2023 | <table border="1"> <tr> <td>SUBSTRATE GROUP: FRT WOOD STUD</td> <td>DRW. NO.: EM-G-02-G-00</td> </tr> </table> | SUBSTRATE GROUP: FRT WOOD STUD | DRW. NO.: EM-G-02-G-00 |
| SUBSTRATE GROUP: FRT WOOD STUD | DRW. NO.: EM-G-02-G-00 | | | |
| <p><small>As a manufacturer of construction materials, Rmax provides general details as a general guide for informational purposes only. These details are not intended to replace sound engineering and architectural practices and should not be relied upon for that purpose. Rmax assumes no liability with respect to the design of the system. The architect, consultant and/or engineer or design professional for a particular project bears the sole responsibility for the design of the system, for the preparation and approval of the project specifications, details and shop drawings, and for determining their suitability for a particular project or application. Rmax makes no warranty of any kind, either expressed or implied, as to the content of this guide detail. Rmax shall not be responsible under any legal theory to any third party for any direct or consequential damages of any kind arising from the use of this guide detail. All products and services provided by Rmax are subject to its terms and conditions of sale available at www.Rmax.com.</small></p> | | | | |

ECOMAXci® WALL SOLUTION DETAILS

List of Details - Neutral Cladding and Masonry Cladding with Self-Adhered Tape and Flashing

| NEUTRAL CLADDING DETAILS - SA | Drawing No. | MASONRY CLADDING DETAILS - SA | Drawing No. |
|---|--------------------|--------------------------------------|--------------------|
| Wall at Roof Parapet, Option 1 | EM-SA-02-N-11 | Wall at Roof Parapet | EM-SA-02-M-11 |
| Wall at Roof Parapet, Option 2 | EM-SA-02-N-12 | Wall at Shelf Angle | EM-SA-02-M-14 |
| Wall at Roof Parapet, Option 3 | EM-SA-02-N-13 | Wall at Foundation | EM-SA-02-M-15 |
| Wall at Floor Line | EM-SA-02-N-14 | | |
| Wall at Foundation | EM-SA-02-N-15 | | |
| Rough Openings | EM-SA-02-N-21 | | |
| Wall Stationary Joint | EM-SA-02-N-31 | | |
| Wall Expansion Joint, 3/4" Maximum | EM-SA-02-N-32 | | |
| Wall Expansion Joint, 3/4" to 1-1/2" | EM-SA-02-N-33 | | |
| Wall Expansion Joint, 1-1/2" and Greater | EM-SA-02-N-34 | | |
| Control Joint and Wall Transition, Aligned Faces | EM-SA-02-N-38 | | |
| Control Joint and Wall Transition, Non-Aligned Faces | EM-SA-02-N-39 | | |
| Wall Transitions, Inside and Outside Corners | EM-SA-02-N-41 | | |
| Wall Penetrations | EM-SA-02-N-51 | | |
| Wall Penetrations, Small or Irregular | EM-SA-02-N-52 | | |

These details are graphical representation, not necessarily to scale and various features may be exaggerated. These details are intended to supplement the ECOMAXci® Wall Solution Installation Instructions located at www.Rmax.com, which should be consulted for additional guidance and installation requirements. Where discrepancies occur, the installation instructions supersede these details.

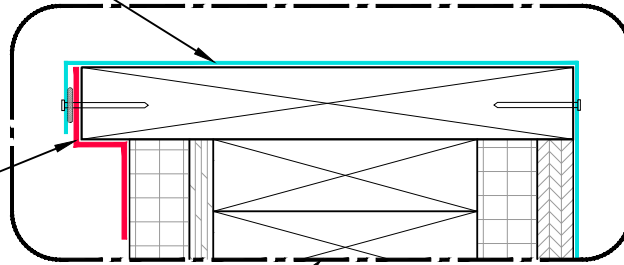
| | | | |
|--|--|--------------------------|-----------------------------------|
|  <p>Rmax 2075 Midway Road Lewisville, TX 75056 Phone: (972)-850-3604 Email: Technical@Rmax.com</p> | DRAWING NAME: GENERAL INFORMATION Self-Adhered Tape and Flashing List of Details - Neutral Cladding and Masonry Cladding | | |
| | SCALE: NOT APPLICABLE | REV. DATE: 07-10-2023 | SUBSTRATE GROUP: FRT WOOD STUD |
| <p><small>As a manufacturer of construction materials, Rmax provides general details as a general guide for informational purposes only. These details are not intended to replace sound engineering and architectural practices and should not be relied upon for that purpose. Rmax assumes no liability with respect to the design of the system. The architect, consultant and/or engineer or design professional for a particular project bears the sole responsibility for the design of the system, for the preparation and approval of the project specifications, details and shop drawings, and for determining their suitability for a particular project or application. Rmax makes no warranty of any kind, either expressed or implied, as to the content of this guide detail. Rmax shall not be responsible under any legal theory to any third party for any direct or consequential damages of any kind arising from the use of this guide detail. All products and services provided by Rmax are subject to its terms and conditions of sale available at www.Rmax.com.</small></p> | | | |

Roof flashing

- Extend over wall flashing material.
- Bond to wall flashing or apply compatible sealant.
- Mechanically attach as required.

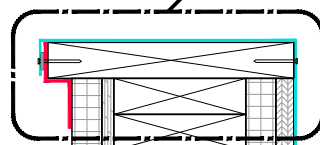
Note: Parapet cap not shown in details.

R-SEAL 6000



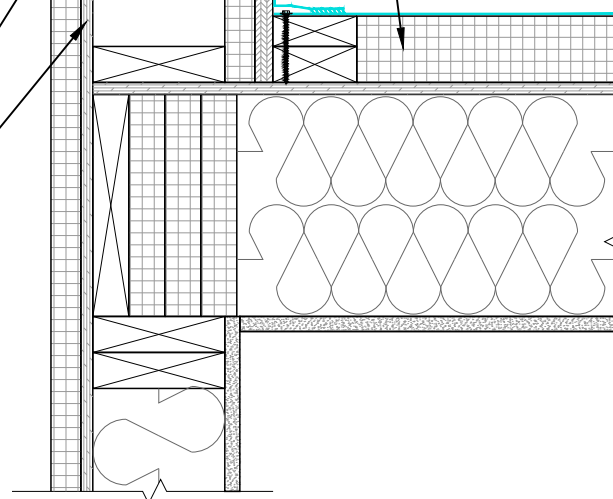
ECOMAXci® FR AIR BARRIER

FRT wood sheathing as required



Plywood

Rmax insulation



These details are graphical representation, not necessarily to scale and various features may be exaggerated. These details are intended to supplement the ECOMAXci® Wall Solution Installation Instructions located at www.Rmax.com, which should be consulted for additional guidance and installation requirements. Where discrepancies occur, the installation instructions supersede these details.



Rmax

2075 Midway Road
 Lewisville, TX 75056
 Phone: (972)-850-3604
 Email: Technical@Rmax.com

DRAWING NAME:

NEUTRAL CLADDING
 Self-Adhered Tape and Flashing
 Wall at Roof Parapet, Option 1

SCALE:
 NOT TO SCALE

REV. DATE:
 07-10-2023

SUBSTRATE GROUP:
 FRT WOOD STUD

DRW. NO.:
 EM-SA-02-N-11

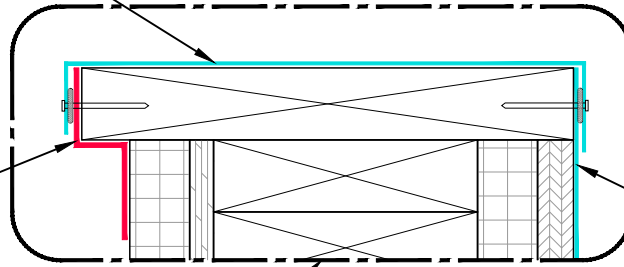
As a manufacturer of construction materials, Rmax provides general details as a general guide for informational purposes only. These details are not intended to replace sound engineering and architectural practices and should not be relied upon for that purpose. Rmax assumes no liability with respect to the design of the system. The architect, consultant and/or engineer or design professional for a particular project bears the sole responsibility for the design of the system, for the preparation and approval of the project specifications, details and shop drawings, and for determining their suitability for a particular project or application. Rmax makes no warranty of any kind, either expressed or implied, as to the content of this guide detail. Rmax shall not be responsible under any legal theory to any third party for any direct or consequential damages of any kind arising from the use of this guide detail. All products and services provided by Rmax are subject to its terms and conditions of sale available at www.Rmax.com.

Provide air barrier membranes to interconnect and seal the wall and roof/parapet air barriers.

- Cap with separate compatible flashing material extended over over wall and roof flashing materials.
- Bond to each material or apply compatible sealant.
- Mechanically attach as required.

Note: Parapet cap not shown in details.

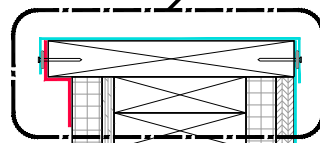
R-SEAL 6000



Roof flashing

ECOMAXci® FR AIR BARRIER

FRT wood sheathing as required



Plywood

Rmax insulation

These details are graphical representation, not necessarily to scale and various features may be exaggerated. These details are intended to supplement the ECOMAXci® Wall Solution Installation Instructions located at www.Rmax.com, which should be consulted for additional guidance and installation requirements. Where discrepancies occur, the installation instructions supersede these details.



Rmax

2075 Midway Road
Lewisville, TX 75056
Phone: (972)-850-3604
Email: Technical@Rmax.com

DRAWING NAME:

NEUTRAL CLADDING
Self-Adhered Tape and Flashing
Wall at Roof Parapet, Option 2

SCALE:
NOT TO SCALE

REV. DATE:
07-10-2023

SUBSTRATE GROUP:
FRT WOOD STUD

DRW. NO.:
EM-SA-02-N-12

As a manufacturer of construction materials, Rmax provides general details as a general guide for informational purposes only. These details are not intended to replace sound engineering and architectural practices and should not be relied upon for that purpose. Rmax assumes no liability with respect to the design of the system. The architect, consultant and/or engineer or design professional for a particular project bears the sole responsibility for the design of the system, for the preparation and approval of the project specifications, details and shop drawings, and for determining their suitability for a particular project or application. Rmax makes no warranty of any kind, either expressed or implied, as to the content of this guide detail. Rmax shall not be responsible under any legal theory to any third party for any direct or consequential damages of any kind arising from the use of this guide detail. All products and services provided by Rmax are subject to its terms and conditions of sale available at www.Rmax.com.

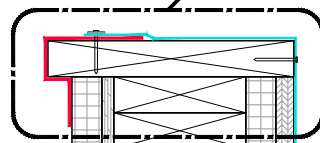
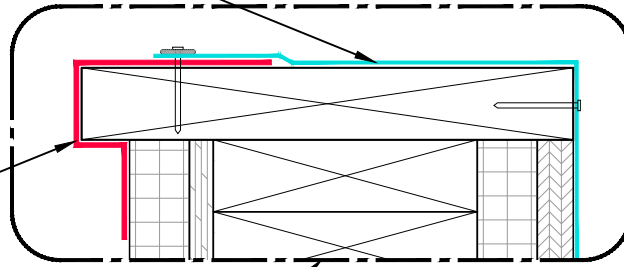
- Roof flashing
- Extend over wall flashing material.
 - Bond to wall flashing or apply compatible sealant.
 - Mechanically attach as required.

Note: Parapet cap not shown in details.

R-SEAL 6000

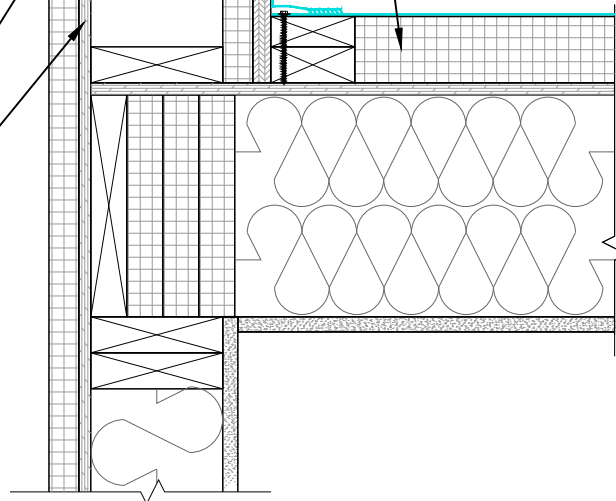
ECOMAXci® FR AIR BARRIER

FRT wood sheathing as required



Plywood

Rmax insulation



These details are graphical representation, not necessarily to scale and various features may be exaggerated. These details are intended to supplement the ECOMAXci® Wall Solution Installation Instructions located at www.Rmax.com, which should be consulted for additional guidance and installation requirements. Where discrepancies occur, the installation instructions supersede these details.



Rmax

2075 Midway Road
Lewisville, TX 75056
Phone: (972)-850-3604
Email: Technical@Rmax.com

DRAWING NAME:

NEUTRAL CLADDING
Self-Adhered Tape and Flashing
Wall at Roof Parapet, Option 3

SCALE:
NOT TO SCALE

REV. DATE:
07-10-2023

SUBSTRATE GROUP:
FRT WOOD STUD

DRW. NO.:
EM-SA-02-N-13

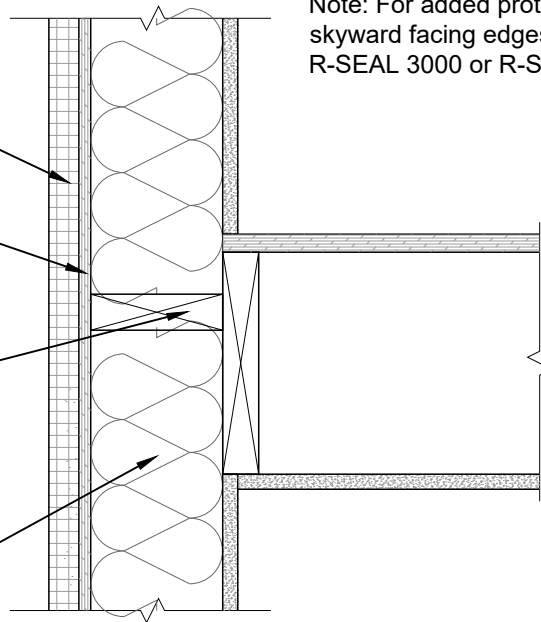
As a manufacturer of construction materials, Rmax provides general details as a general guide for informational purposes only. These details are not intended to replace sound engineering and architectural practices and should not be relied upon for that purpose. Rmax assumes no liability with respect to the design of the system. The architect, consultant and/or engineer or design professional for a particular project bears the sole responsibility for the design of the system, for the preparation and approval of the project specifications, details and shop drawings, and for determining their suitability for a particular project or application. **Rmax makes no warranty of any kind, either expressed or implied, as to the content of this guide detail. Rmax shall not be responsible under any legal theory to any third party for any direct or consequential damages of any kind arising from the use of this guide detail. All products and services provided by Rmax are subject to its terms and conditions of sale available at www.Rmax.com.**

ECOMAXci® FR AIR BARRIER

FRT wood sheathing as required

Fire stop assembly or wood blocking

Wood studs extended continuously in front of structural wood floor slab



Note: For added protection, counter flash skyward facing edges of R-SEAL 6000 with R-SEAL 3000 or R-SEAL 2000 LF.

FLOOR LINE FIRE STOPPING DETAIL

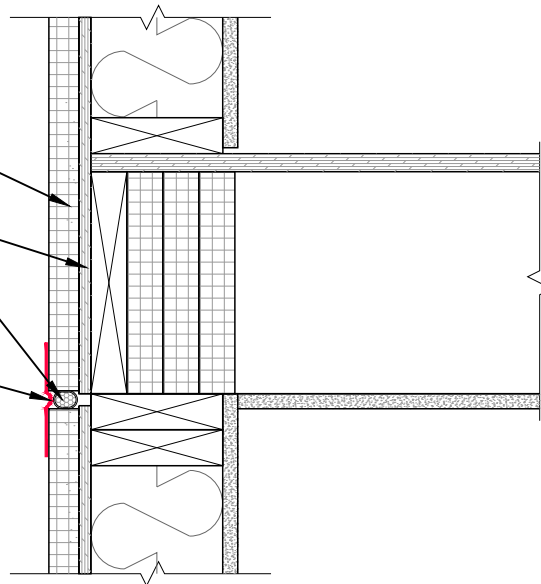
ECOMAXci® FR AIR BARRIER

FRT wood sheathing as required

Foam backer rod

R-SEAL 6000

Looped at deflection joint in insulation to allow for movement as required.



FLOOR LINE INSULATION DEFLECTION JOINT DETAIL

These details are graphical representation, not necessarily to scale and various features may be exaggerated. These details are intended to supplement the ECOMAXci® Wall Solution Installation Instructions located at www.Rmax.com, which should be consulted for additional guidance and installation requirements. Where discrepancies occur, the installation instructions supersede these details.



Rmax

2075 Midway Road
Lewisville, TX 75056
Phone: (972)-850-3604
Email: Technical@Rmax.com

DRAWING NAME:

NEUTRAL CLADDING
Self-Adhered Tape and Flashing
Wall at Floor Line

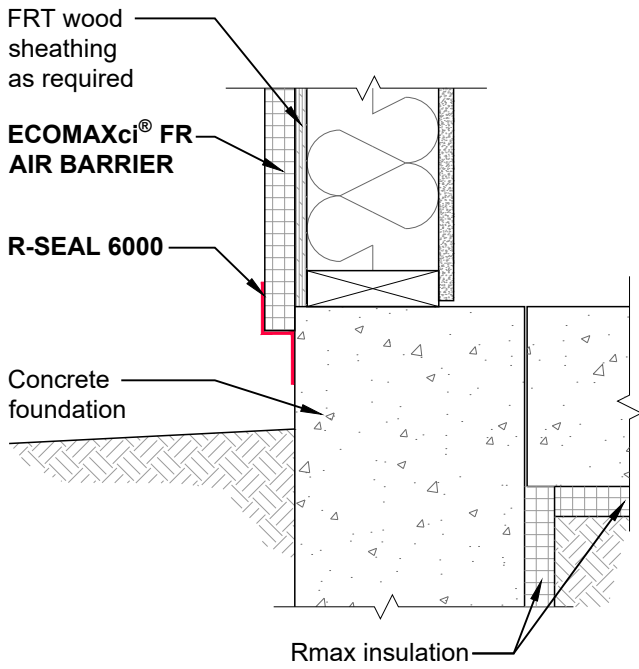
SCALE:
NOT TO SCALE

REV. DATE:
07-10-2023

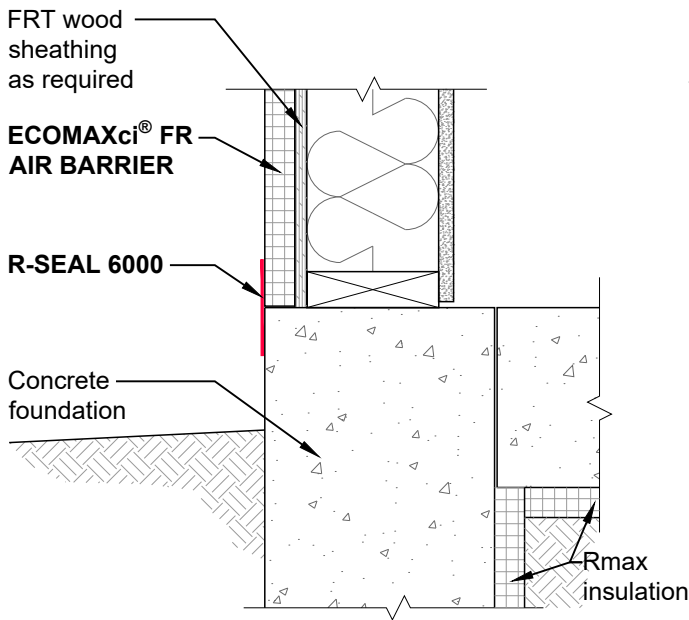
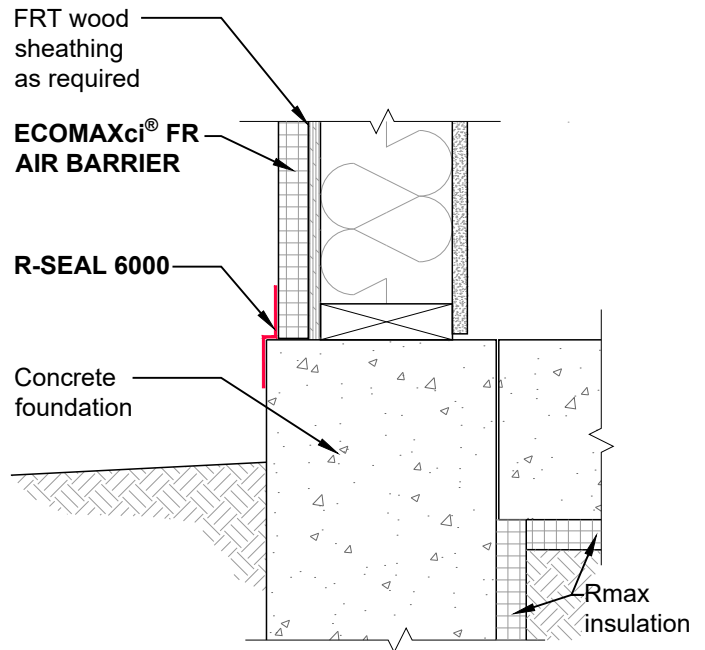
SUBSTRATE GROUP:
FRT WOOD STUD

DRW. NO.:
EM-SA-02-N-14

As a manufacturer of construction materials, Rmax provides general details as a general guide for informational purposes only. These details are not intended to replace sound engineering and architectural practices and should not be relied upon for that purpose. Rmax assumes no liability with respect to the design of the system. The architect, consultant and/or engineer or design professional for a particular project bears the sole responsibility for the design of the system, for the preparation and approval of the project specifications, details and shop drawings, and for determining their suitability for a particular project or application. Rmax makes no warranty of any kind, either expressed or implied, as to the content of this guide detail. Rmax shall not be responsible under any legal theory to any third party for any direct or consequential damages of any kind arising from the use of this guide detail. All products and services provided by Rmax are subject to its terms and conditions of sale available at www.Rmax.com.



Note: For added protection, counter flash skyward facing edges of R-SEAL 6000 with R-SEAL 3000 or R-SEAL 2000 LF.



These details are graphical representation, not necessarily to scale and various features may be exaggerated. These details are intended to supplement the ECOMAXci® Wall Solution Installation Instructions located at www.Rmax.com, which should be consulted for additional guidance and installation requirements. Where discrepancies occur, the installation instructions supersede these details.



Rmax

2075 Midway Road
Lewisville, TX 75056
Phone: (972)-850-3604
Email: Technical@Rmax.com

DRAWING NAME:

NEUTRAL CLADDING
Self-Adhered Tape and Flashing
Wall at Foundation

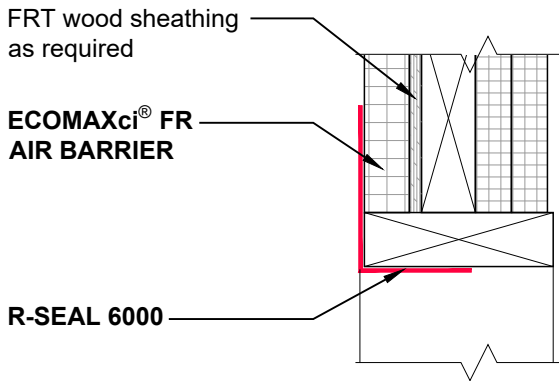
SCALE:
NOT TO SCALE

REV. DATE:
07-10-2023

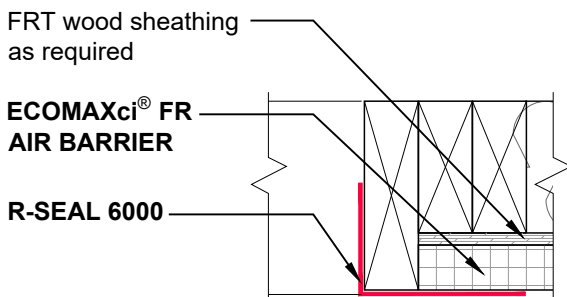
SUBSTRATE GROUP:
FRT WOOD STUD

DRW. NO.:
EM-SA-02-N-15

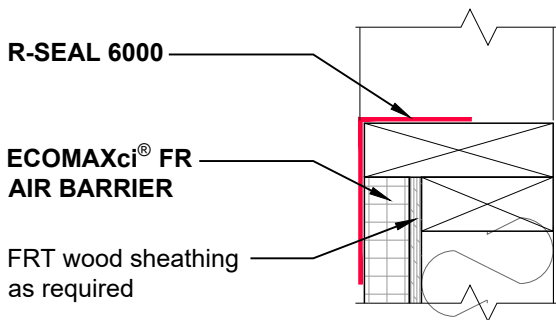
As a manufacturer of construction materials, Rmax provides general details as a general guide for informational purposes only. These details are not intended to replace sound engineering and architectural practices and should not be relied upon for that purpose. Rmax assumes no liability with respect to the design of the system. The architect, consultant and/or engineer or design professional for a particular project bears the sole responsibility for the design of the system, for the preparation and approval of the project specifications, details and shop drawings, and for determining their suitability for a particular project or application. Rmax makes no warranty of any kind, either expressed or implied, as to the content of this guide detail. Rmax shall not be responsible under any legal theory to any third party for any direct or consequential damages of any kind arising from the use of this guide detail. All products and services provided by Rmax are subject to its terms and conditions of sale available at www.Rmax.com.



HEAD DETAIL (Vertical Section)

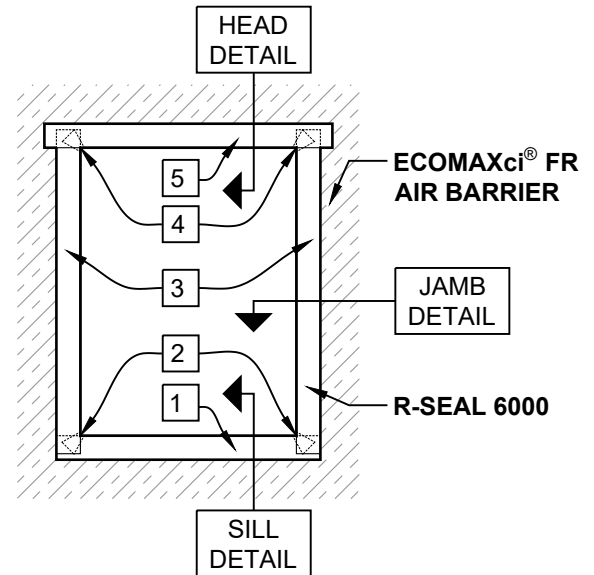


JAMB DETAIL (Horizontal Section)



SILL DETAIL (Vertical Section)

Note: For added protection, counter flash skyward facing edges of R-SEAL 6000 with R-SEAL 3000 or R-SEAL 2000 LF.



Numbered items on opening elevation indicate the following rough opening flashing items and sequence of installation:

- 1 Sill flashing
- 2 Sill corner patches
- 3 Jamb flashing
- 4 Head corner patches
- 5 Head flashing

ROUGH OPENING ELEVATION

These details are graphical representation, not necessarily to scale and various features may be exaggerated. These details are intended to supplement the ECOMAXci® Wall Solution Installation Instructions located at www.Rmax.com, which should be consulted for additional guidance and installation requirements. Where discrepancies occur, the installation instructions supersede these details.



Rmax

2075 Midway Road
Lewisville, TX 75056
Phone: (972)-850-3604
Email: Technical@Rmax.com

DRAWING NAME:

NEUTRAL CLADDING
Self-Adhered Tape and Flashing
Rough Opening

SCALE:
NOT TO SCALE

REV. DATE:
07-10-2023

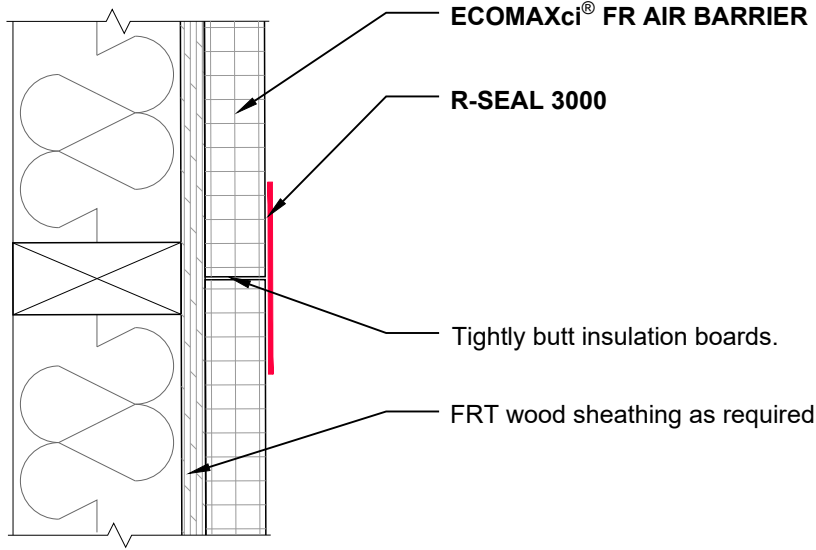
SUBSTRATE GROUP:
FRT WOOD STUD

DRW. NO.:
EM-SA-02-N-21

As a manufacturer of construction materials, Rmax provides general details as a general guide for informational purposes only. These details are not intended to replace sound engineering and architectural practices and should not be relied upon for that purpose. Rmax assumes no liability with respect to the design of the system. The architect, consultant and/or engineer or design professional for a particular project bears the sole responsibility for the design of the system, for the preparation and approval of the project specifications, details and shop drawings, and for determining their suitability for a particular project or application. Rmax makes no warranty of any kind, either expressed or implied, as to the content of this guide detail. Rmax shall not be responsible under any legal theory to any third party for any direct or consequential damages of any kind arising from the use of this guide detail. All products and services provided by Rmax are subject to its terms and conditions of sale available at www.Rmax.com.

Notes:

- Vertical joint show, also applies at horizontal joints. Vertical joints must be backed by framing.
- Fill gaps greater than 1/4".



These details are graphical representation, not necessarily to scale and various features may be exaggerated. These details are intended to supplement the ECOMAXci® Wall Solution Installation Instructions located at www.Rmax.com, which should be consulted for additional guidance and installation requirements. Where discrepancies occur, the installation instructions supersede these details.



Rmax

2075 Midway Road
Lewisville, TX 75056
Phone: (972)-850-3604
Email: Technical@Rmax.com

DRAWING NAME:

NEUTRAL CLADDING
Self-Adhered Tape and Flashing
Wall Stationary Joint

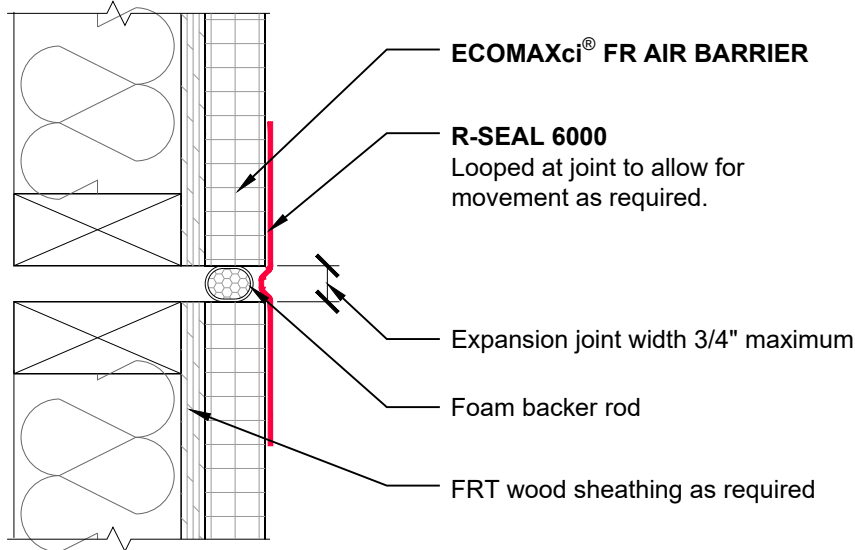
SCALE:
NOT TO SCALE

REV. DATE:
07-10-2023

SUBSTRATE GROUP:
FRT WOOD STUD

DRW. NO.:
EM-SA-02-N-31

As a manufacturer of construction materials, Rmax provides general details as a general guide for informational purposes only. These details are not intended to replace sound engineering and architectural practices and should not be relied upon for that purpose. Rmax assumes no liability with respect to the design of the system. The architect, consultant and/or engineer or design professional for a particular project bears the sole responsibility for the design of the system, for the preparation and approval of the project specifications, details and shop drawings, and for determining their suitability for a particular project or application. **Rmax makes no warranty of any kind, either expressed or implied, as to the content of this guide detail. Rmax shall not be responsible under any legal theory to any third party for any direct or consequential damages of any kind arising from the use of this guide detail. All products and services provided by Rmax are subject to its terms and conditions of sale available at www.Rmax.com.**



Note: Vertical expansion joint shown.
Refer to deflection joint details for horizontal joint conditions.

These details are graphical representation, not necessarily to scale and various features may be exaggerated. These details are intended to supplement the ECOMAXci® Wall Solution Installation Instructions located at www.Rmax.com, which should be consulted for additional guidance and installation requirements. Where discrepancies occur, the installation instructions supersede these details.



Rmax

2075 Midway Road
Lewisville, TX 75056
Phone: (972)-850-3604
Email: Technical@Rmax.com

DRAWING NAME:

NEUTRAL CLADDING
Self-Adhered Tape and Flashing
Wall Expansion Joint, 3/4" Maximum

SCALE:
NOT TO SCALE

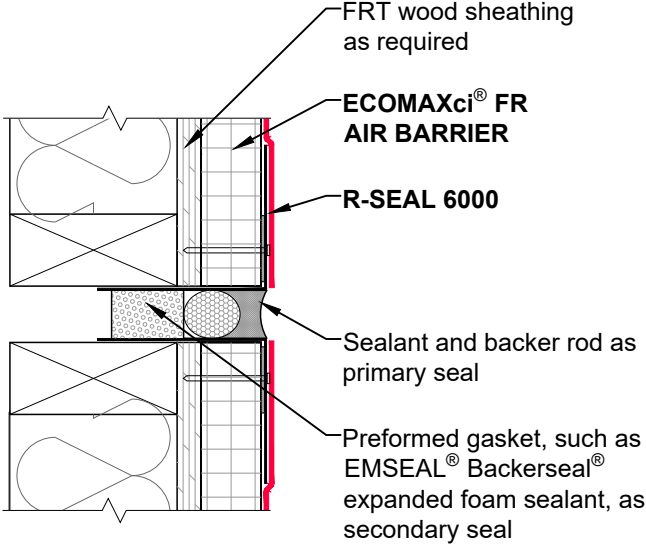
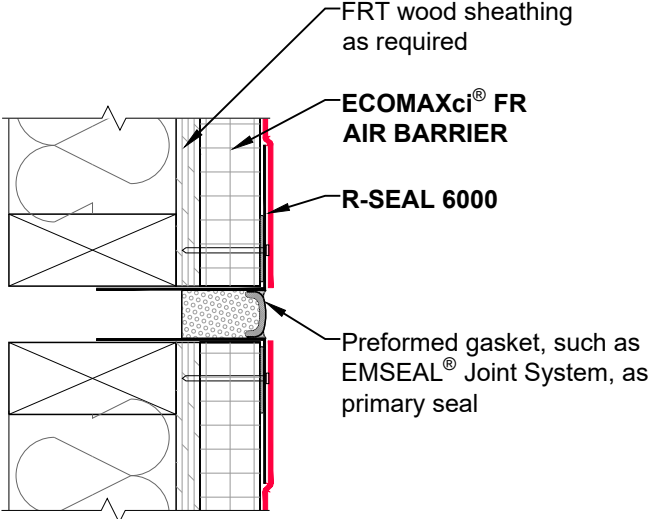
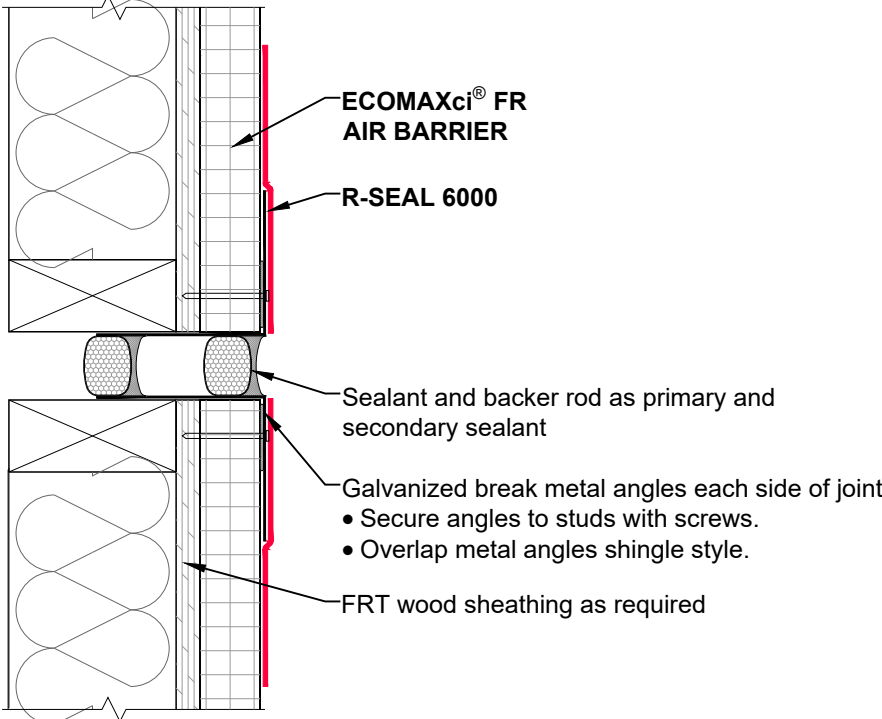
REV. DATE:
07-10-2023

SUBSTRATE GROUP:
FRT WOOD STUD

DRW. NO.:
EM-SA-02-N-32

As a manufacturer of construction materials, Rmax provides general details as a general guide for informational purposes only. These details are not intended to replace sound engineering and architectural practices and should not be relied upon for that purpose. Rmax assumes no liability with respect to the design of the system. The architect, consultant and/or engineer or design professional for a particular project bears the sole responsibility for the design of the system, for the preparation and approval of the project specifications, details and shop drawings, and for determining their suitability for a particular project or application. **Rmax makes no warranty of any kind, either expressed or implied, as to the content of this guide detail. Rmax shall not be responsible under any legal theory to any third party for any direct or consequential damages of any kind arising from the use of this guide detail.** All products and services provided by Rmax are subject to its terms and conditions of sale available at www.Rmax.com.

Note: Vertical expansion joint shown.
Refer to deflection joint details for horizontal joint conditions.



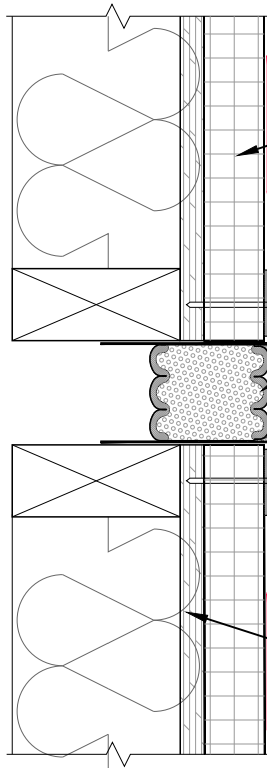
These details are graphical representation, not necessarily to scale and various features may be exaggerated. These details are intended to supplement the ECOMAXci® Wall Solution Installation Instructions located at www.Rmax.com, which should be consulted for additional guidance and installation requirements. Where discrepancies occur, the installation instructions supersede these details.



Rmax
2075 Midway Road
Lewisville, TX 75056
Phone: (972)-850-3604
Email: Technical@Rmax.com

| | | | |
|---------------|------------|--------------------------------------|---------------|
| DRAWING NAME: | | NEUTRAL CLADDING | |
| | | Self-Adhered Tape and Flashing | |
| | | Wall Expansion Joint, 3/4" to 1-1/2" | |
| SCALE: | REV. DATE: | SUBSTRATE GROUP: | DRW. NO.: |
| NOT TO SCALE | 07-10-2023 | FRT WOOD STUD | EM-SA-02-N-33 |

As a manufacturer of construction materials, Rmax provides general details as a general guide for informational purposes only. These details are not intended to replace sound engineering and architectural practices and should not be relied upon for that purpose. Rmax assumes no liability with respect to the design of the system. The architect, consultant and/or engineer or design professional for a particular project bears the sole responsibility for the design of the system, for the preparation and approval of the project specifications, details and shop drawings, and for determining their suitability for a particular project or application. Rmax makes no warranty of any kind, either expressed or implied, as to the content of this guide detail. Rmax shall not be responsible under any legal theory to any third party for any direct or consequential damages of any kind arising from the use of this guide detail. All products and services provided by Rmax are subject to its terms and conditions of sale available at www.Rmax.com.



ECOMAXci® FR AIR BARRIER

R-SEAL 6000

Preformed gasket, such as EMSEAL® Joint System, as primary seal

Apply silicone sealant as recommended by joint system manufacturer. Verify sealant compatibility.

Galvanized break metal angles each side of joint
 • Secure angles to studs with screws.
 • Overlap metal angles shingle style.

FRT wood sheathing as required

Note: Vertical expansion joint shown. Refer to deflection joint details for horizontal joint conditions.

These details are graphical representation, not necessarily to scale and various features may be exaggerated. These details are intended to supplement the ECOMAXci® Wall Solution Installation Instructions located at www.Rmax.com, which should be consulted for additional guidance and installation requirements. Where discrepancies occur, the installation instructions supersede these details.



Rmax

2075 Midway Road
 Lewisville, TX 75056
 Phone: (972)-850-3604
 Email: Technical@Rmax.com

DRAWING NAME:

NEUTRAL CLADDING
 Self-Adhered Tape and Flashing
 Wall Expansion Joint, 1-1/2" and Greater

SCALE:
 NOT TO SCALE

REV. DATE:
 07-10-2023

SUBSTRATE GROUP:
 FRT WOOD STUD

DRW. NO.:
 EM-SA-02-N-34

As a manufacturer of construction materials, Rmax provides general details as a general guide for informational purposes only. These details are not intended to replace sound engineering and architectural practices and should not be relied upon for that purpose. Rmax assumes no liability with respect to the design of the system. The architect, consultant and/or engineer or design professional for a particular project bears the sole responsibility for the design of the system, for the preparation and approval of the project specifications, details and shop drawings, and for determining their suitability for a particular project or application. **Rmax makes no warranty of any kind, either expressed or implied, as to the content of this guide detail. Rmax shall not be responsible under any legal theory to any third party for any direct or consequential damages of any kind arising from the use of this guide detail.** All products and services provided by Rmax are subject to its terms and conditions of sale available at www.Rmax.com.

R-SEAL 6000

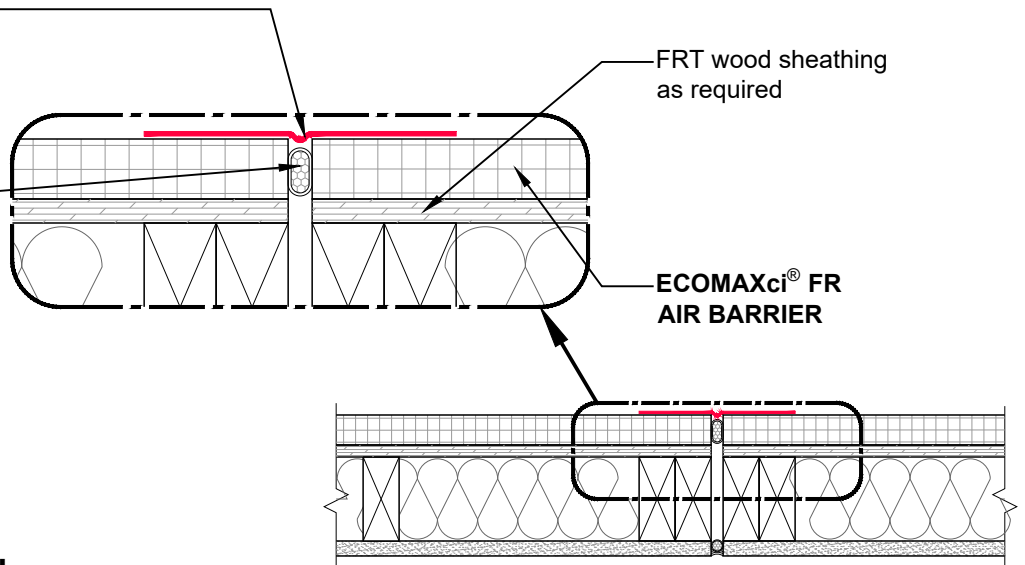
Looped at joint to allow for movement as required.

Insulating foam or foam backer rod

FRT wood sheathing as required

ECOMAXci® FR AIR BARRIER

FRT WOOD STUD WALL



R-SEAL 6000

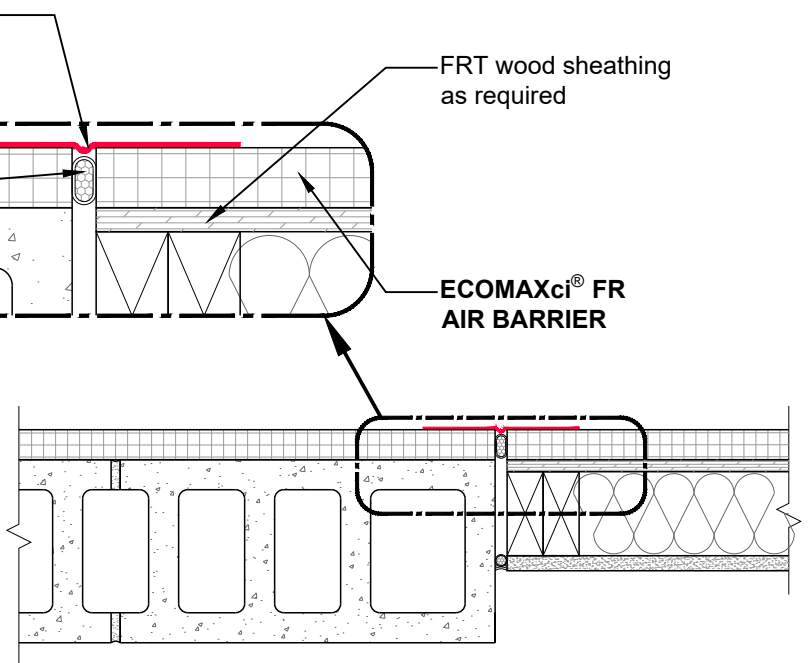
Looped at joint to allow for movement as required.

Insulating foam or foam backer rod

FRT wood sheathing as required

ECOMAXci® FR AIR BARRIER

CMU TO FRT WOOD STUD WALL



These details are graphical representation, not necessarily to scale and various features may be exaggerated. These details are intended to supplement the ECOMAXci® Wall Solution Installation Instructions located at www.Rmax.com, which should be consulted for additional guidance and installation requirements. Where discrepancies occur, the installation instructions supersede these details.



Rmax

2075 Midway Road
Lewisville, TX 75056
Phone: (972)-850-3604
Email: Technical@Rmax.com

DRAWING NAME:

NEUTRAL CLADDING
Self-Adhered Tape and Flashing
Control Joint and Wall Transition, Aligned Faces

SCALE:
NOT TO SCALE

REV. DATE:
07-10-2023

SUBSTRATE GROUP:
FRT WOOD STUD

DRW. NO.:
EM-SA-02-N-38

As a manufacturer of construction materials, Rmax provides general details as a general guide for informational purposes only. These details are not intended to replace sound engineering and architectural practices and should not be relied upon for that purpose. Rmax assumes no liability with respect to the design of the system. The architect, consultant and/or engineer or design professional for a particular project bears the sole responsibility for the design of the system, for the preparation and approval of the project specifications, details and shop drawings, and for determining their suitability for a particular project or application. **Rmax makes no warranty of any kind, either expressed or implied, as to the content of this guide detail. Rmax shall not be responsible under any legal theory to any third party for any direct or consequential damages of any kind arising from the use of this guide detail. All products and services provided by Rmax are subject to its terms and conditions of sale available at www.Rmax.com.**

R-SEAL 6000

Looped at joint to allow for movement as required.

Applied WRB - AB

FRT wood sheathing as required

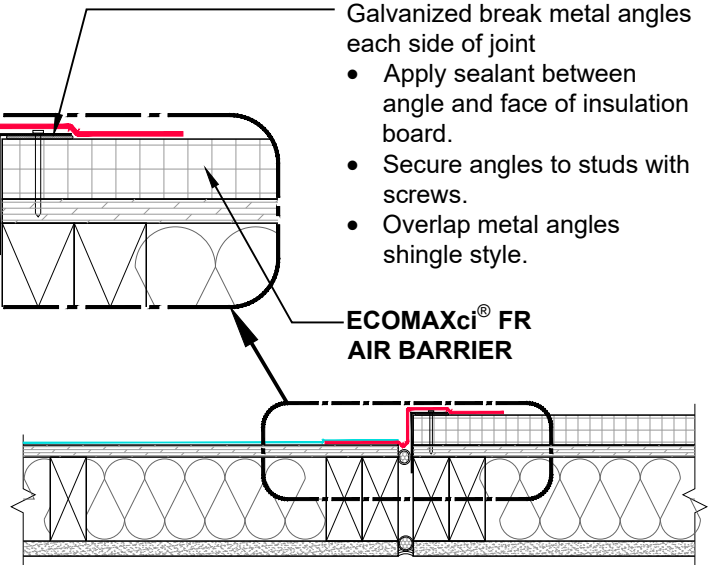
Insulating foam or foam backer rod

Galvanized break metal angles each side of joint

- Apply sealant between angle and face of insulation board.
- Secure angles to studs with screws.
- Overlap metal angles shingle style.

ECOMAXci® FR AIR BARRIER

ECOMAXci® FR AIR BARRIER TO SHEATHING



R-SEAL 6000

Looped at joint to allow for movement as required.

Applied WRB - AB

Insulating foam or foam backer rod

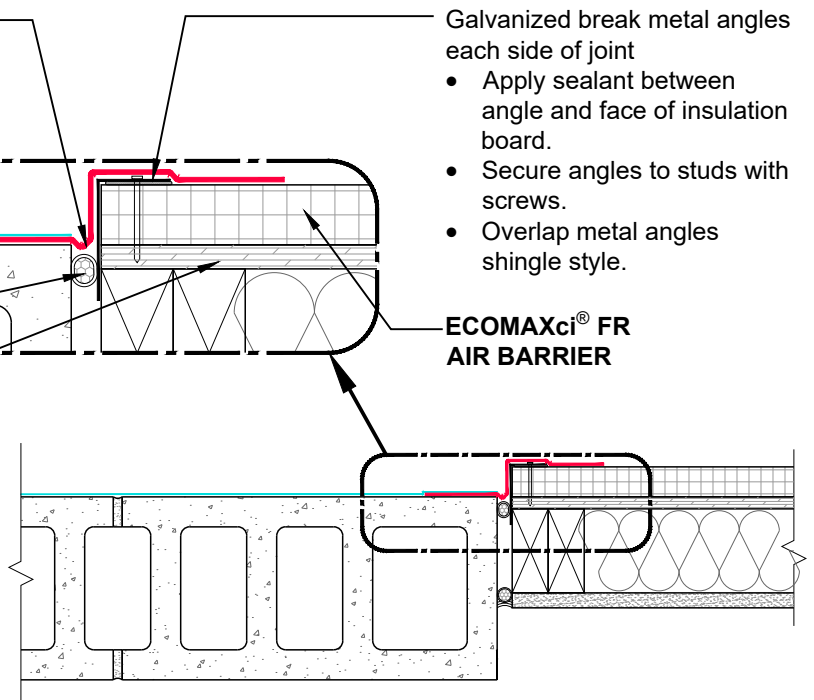
FRT wood sheathing as required

Galvanized break metal angles each side of joint

- Apply sealant between angle and face of insulation board.
- Secure angles to studs with screws.
- Overlap metal angles shingle style.

ECOMAXci® FR AIR BARRIER

ECOMAXci® FR AIR BARRIER TO CMU



These details are graphical representation, not necessarily to scale and various features may be exaggerated. These details are intended to supplement the ECOMAXci® Wall Solution Installation Instructions located at www.Rmax.com, which should be consulted for additional guidance and installation requirements. Where discrepancies occur, the installation instructions supersede these details.



Rmax

2075 Midway Road
Lewisville, TX 75056
Phone: (972)-850-3604
Email: Technical@Rmax.com

DRAWING NAME:

NEUTRAL CLADDING
Self-Adhered Tape and Flashing
Control Joint and Wall Transition, Non-Aligned Faces

SCALE:
NOT TO SCALE

REV. DATE:
07-10-2023

SUBSTRATE GROUP:
FRT WOOD STUD

DRW. NO.:
EM-SA-02-N-39

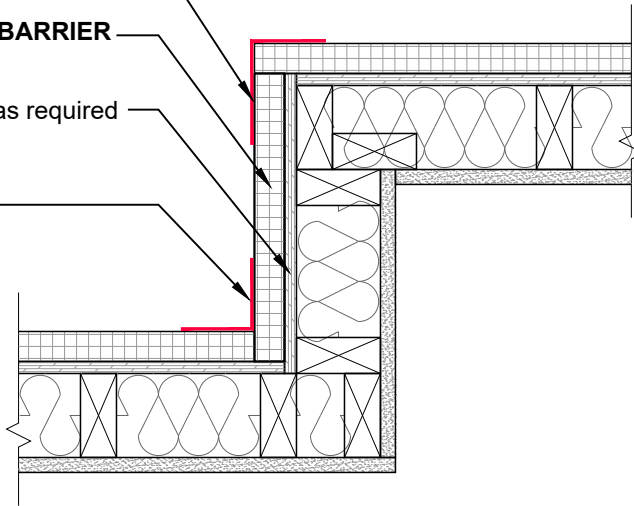
As a manufacturer of construction materials, Rmax provides general details as a general guide for informational purposes only. These details are not intended to replace sound engineering and architectural practices and should not be relied upon for that purpose. Rmax assumes no liability with respect to the design of the system. The architect, consultant and/or engineer or design professional for a particular project bears the sole responsibility for the design of the system, for the preparation and approval of the project specifications, details and shop drawings, and for determining their suitability for a particular project or application. Rmax makes no warranty of any kind, either expressed or implied, as to the content of this guide detail. Rmax shall not be responsible under any legal theory to any third party for any direct or consequential damages of any kind arising from the use of this guide detail. All products and services provided by Rmax are subject to its terms and conditions of sale available at www.Rmax.com.

R-SEAL 6000

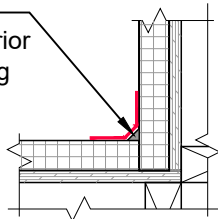
ECOMAXci® FR AIR BARRIER

FRT wood sheathing as required

R-SEAL 6000

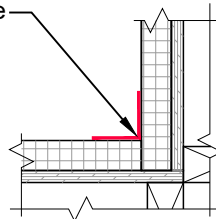


Provide sealant in corner to fill void prior to installing flashing tape.



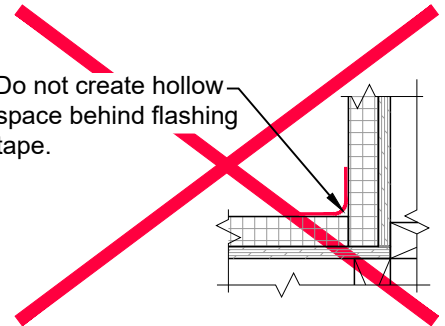
BEST PRACTICE

Install flashing tape fully into corner.



GOOD PRACTICE

Do not create hollow space behind flashing tape.



IMPROPER PRACTICE

These details are graphical representation, not necessarily to scale and various features may be exaggerated. These details are intended to supplement the ECOMAXci® Wall Solution Installation Instructions located at www.Rmax.com, which should be consulted for additional guidance and installation requirements. Where discrepancies occur, the installation instructions supersede these details.



Rmax

2075 Midway Road
Lewisville, TX 75056
Phone: (972)-850-3604
Email: Technical@Rmax.com

DRAWING NAME:

NEUTRAL CLADDING
Self-Adhered Tape and Flashing
Wall Transition, Inside and Outside Corners

SCALE:
NOT TO SCALE

REV. DATE:
07-10-2023

SUBSTRATE GROUP:
FRT WOOD STUD

DRW. NO.:
EM-SA-02-N-41

As a manufacturer of construction materials, Rmax provides general details as a general guide for informational purposes only. These details are not intended to replace sound engineering and architectural practices and should not be relied upon for that purpose. Rmax assumes no liability with respect to the design of the system. The architect, consultant and/or engineer or design professional for a particular project bears the sole responsibility for the design of the system, for the preparation and approval of the project specifications, details and shop drawings, and for determining their suitability for a particular project or application. **Rmax makes no warranty of any kind, either expressed or implied, as to the content of this guide detail. Rmax shall not be responsible under any legal theory to any third party for any direct or consequential damages of any kind arising from the use of this guide detail.** All products and services provided by Rmax are subject to its terms and conditions of sale available at www.Rmax.com.

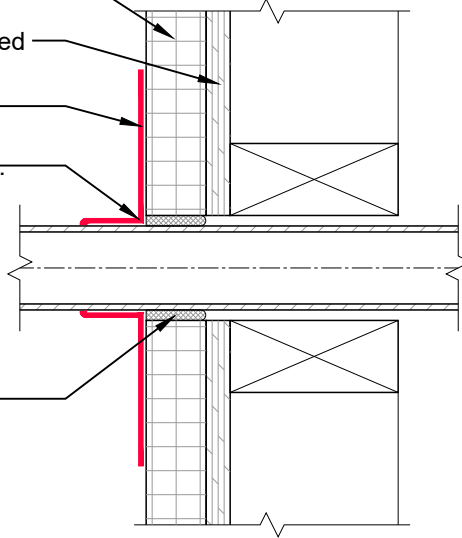
ECOMAXci® FR AIR BARRIER

FRT wood sheathing as required

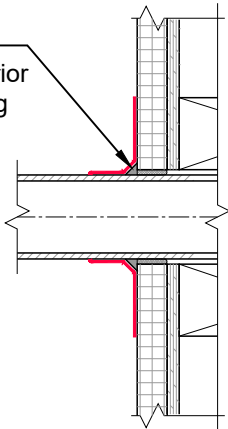
R-SEAL 6000

Install tape tight to all surfaces.

Fill gaps over 1/4" wide with insulating foam.

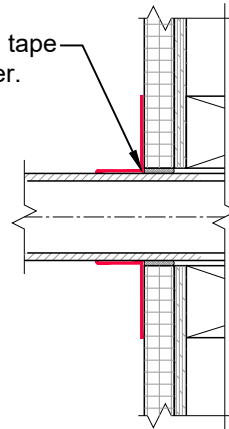


Provide sealant in corner to fill void prior to installing flashing tape.



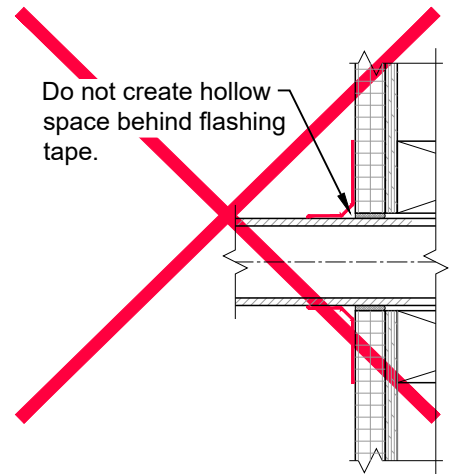
BEST PRACTICE

Install flashing tape fully into corner.



GOOD PRACTICE

Do not create hollow space behind flashing tape.



IMPROPER PRACTICE

These details are graphical representation, not necessarily to scale and various features may be exaggerated. These details are intended to supplement the ECOMAXci® Wall Solution Installation Instructions located at www.Rmax.com, which should be consulted for additional guidance and installation requirements. Where discrepancies occur, the installation instructions supersede these details.



Rmax

2075 Midway Road
Lewisville, TX 75056
Phone: (972)-850-3604
Email: Technical@Rmax.com

DRAWING NAME:

NEUTRAL CLADDING
Self-Adhered Tape and Flashing
Wall Penetrations

SCALE:
NOT TO SCALE

REV. DATE:
07-10-2023

SUBSTRATE GROUP:
FRT WOOD STUD

DRW. NO.:
EM-SA-02-N-51

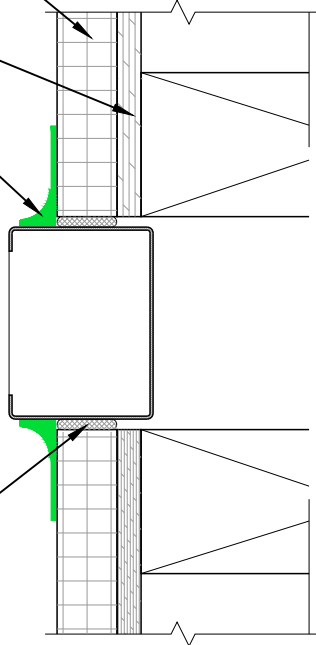
As a manufacturer of construction materials, Rmax provides general details as a general guide for informational purposes only. These details are not intended to replace sound engineering and architectural practices and should not be relied upon for that purpose. Rmax assumes no liability with respect to the design of the system. The architect, consultant and/or engineer or design professional for a particular project bears the sole responsibility for the design of the system, for the preparation and approval of the project specifications, details and shop drawings, and for determining their suitability for a particular project or application. **Rmax makes no warranty of any kind, either expressed or implied, as to the content of this guide detail. Rmax shall not be responsible under any legal theory to any third party for any direct or consequential damages of any kind arising from the use of this guide detail. All products and services provided by Rmax are subject to its terms and conditions of sale available at www.Rmax.com.**

**ECOMAXci® FR
AIR BARRIER**

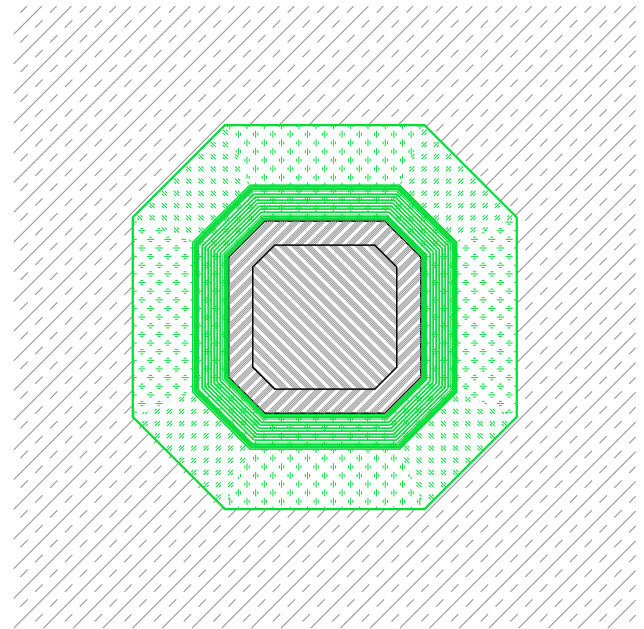
FRT wood sheathing
as required

Sealant such as
R-SEAL 2000 LF

Fill gaps over 1/4" wide
with insulating foam.



Note: Use this detail where there is not adequate size or shoulder depth to install R-SEAL 6000 as shown in details on Drawing No. EM-SA-02-N-51.



These details are graphical representation, not necessarily to scale and various features may be exaggerated. These details are intended to supplement the ECOMAXci® Wall Solution Installation Instructions located at www.Rmax.com, which should be consulted for additional guidance and installation requirements. Where discrepancies occur, the installation instructions supersede these details.



Rmax

2075 Midway Road
Lewisville, TX 75056
Phone: (972)-850-3604
Email: Technical@Rmax.com

DRAWING NAME:

**NEUTRAL CLADDING
Self-Adhered Tape and Flashing
Wall Penetrations, Small or Irregular**

SCALE:
NOT TO SCALE

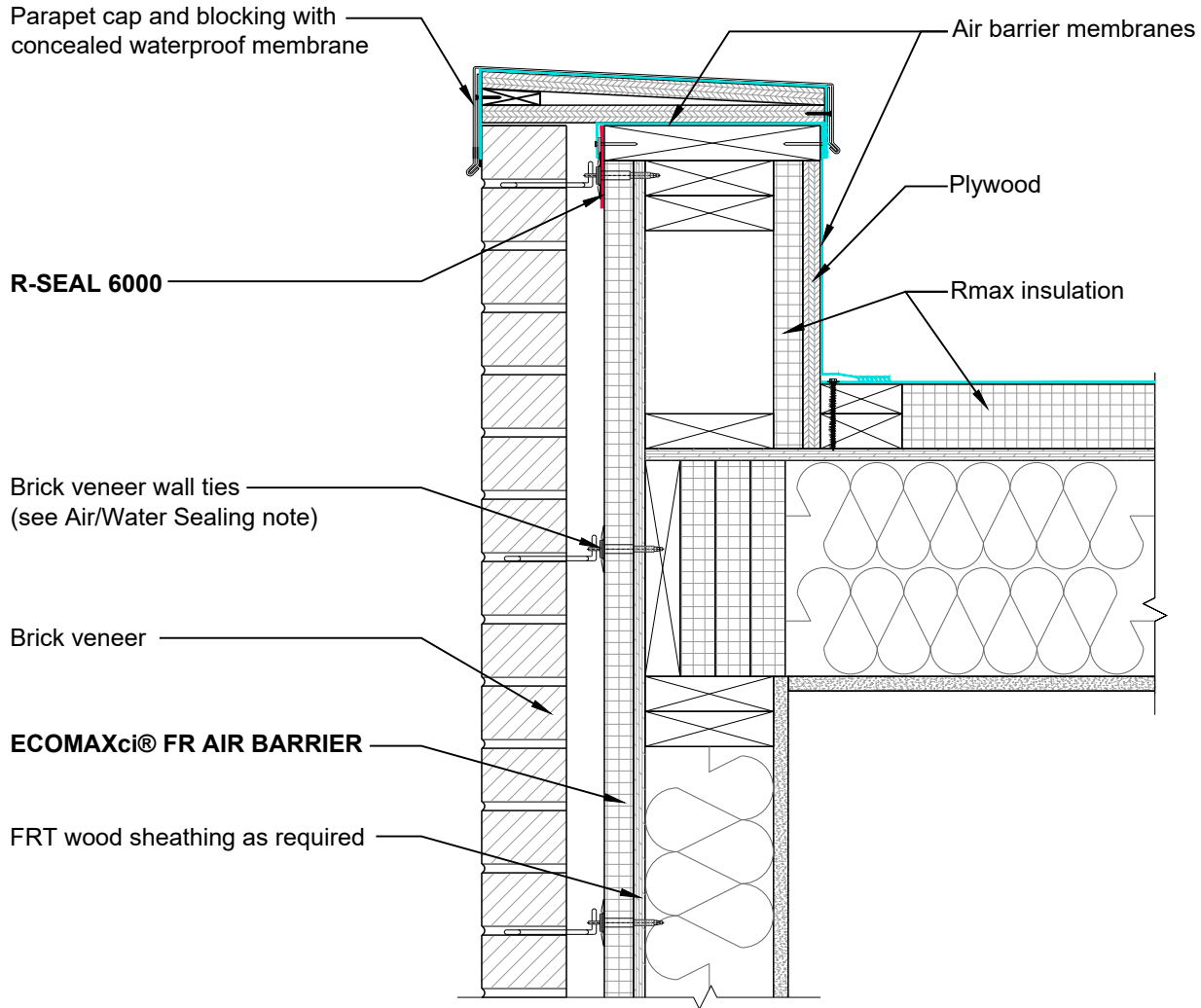
REV. DATE:
07-10-2023

SUBSTRATE GROUP:
FRT WOOD STUD

DRW. NO.:
EM-SA-02-N-52

As a manufacturer of construction materials, Rmax provides general details as a general guide for informational purposes only. These details are not intended to replace sound engineering and architectural practices and should not be relied upon for that purpose. Rmax assumes no liability with respect to the design of the system. The architect, consultant and/or engineer or design professional for a particular project bears the sole responsibility for the design of the system, for the preparation and approval of the project specifications, details and shop drawings, and for determining their suitability for a particular project or application. **Rmax makes no warranty of any kind, either expressed or implied, as to the content of this guide detail. Rmax shall not be responsible under any legal theory to any third party for any direct or consequential damages of any kind arising from the use of this guide detail. All products and services provided by Rmax are subject to its terms and conditions of sale available at www.Rmax.com.**

Air/Water Sealing: Use common construction practice as required to maintain air/water barrier at penetrations.



These details are graphical representation, not necessarily to scale and various features may be exaggerated. These details are intended to supplement the ECOMAXci® Wall Solution Installation Instructions located at www.Rmax.com, which should be consulted for additional guidance and installation requirements. Where discrepancies occur, the installation instructions supersede these details.



Rmax

2075 Midway Road
Lewisville, TX 75056
Phone: (972)-850-3604
Email: Technical@Rmax.com

DRAWING NAME:

MASONRY CLADDING
Self-Adhered Tape and Flashing
Wall at Roof Parapet

SCALE:
NOT TO SCALE

REV. DATE:
07-10-2023

SUBSTRATE GROUP:
FRT WOOD STUD

DRW. NO.:
EM-SA-02-M-11

As a manufacturer of construction materials, Rmax provides general details as a general guide for informational purposes only. These details are not intended to replace sound engineering and architectural practices and should not be relied upon for that purpose. Rmax assumes no liability with respect to the design of the system. The architect, consultant and/or engineer or design professional for a particular project bears the sole responsibility for the design of the system, for the preparation and approval of the project specifications, details and shop drawings, and for determining their suitability for a particular project or application. **Rmax makes no warranty of any kind, either expressed or implied, as to the content of this guide detail. Rmax shall not be responsible under any legal theory to any third party for any direct or consequential damages of any kind arising from the use of this guide detail. All products and services provided by Rmax are subject to its terms and conditions of sale available at www.Rmax.com.**

ECOMAXci® FR AIR BARRIER

Brick veneer wall ties
(see Air/Water Sealing note)

FRT wood sheathing as required

Brick veneer

Shelf angle for masonry support

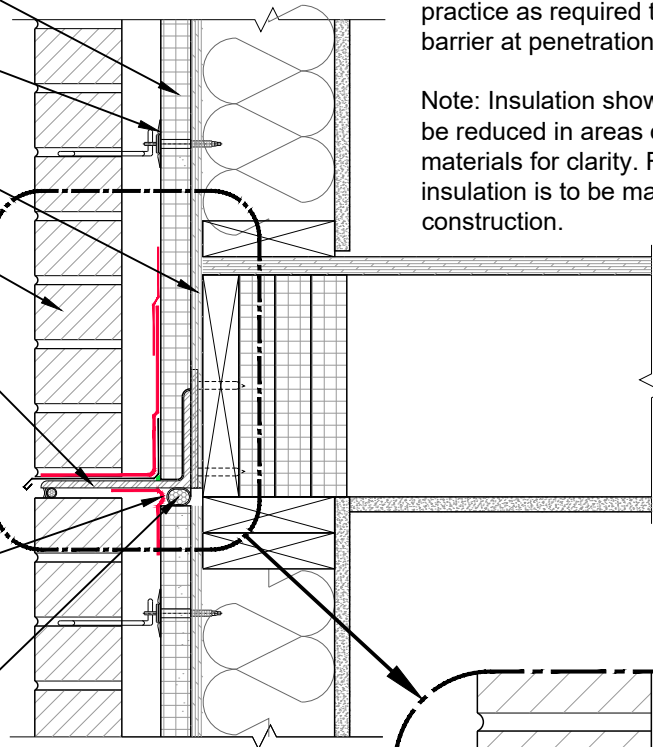
R-SEAL 6000

Looped at joint to allow for movement as required.

Foam backer rod

Air/Water Sealing: Use common construction practice as required to maintain air/water barrier at penetrations.

Note: Insulation shown in this drawing may be reduced in areas of flashing or framing materials for clarity. Full thickness of insulation is to be maintained in actual construction.

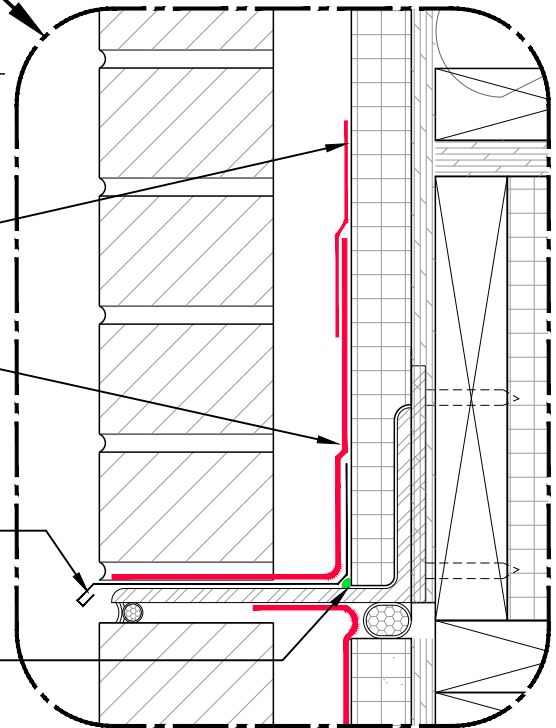


R-SEAL 3000

R-SEAL 6000

Metal flashing
as specified

Sealant such as
R-SEAL 2000 LF



These details are graphical representation, not necessarily to scale and various features may be exaggerated. These details are intended to supplement the ECOMAXci® Wall Solution Installation Instructions located at www.Rmax.com, which should be consulted for additional guidance and installation requirements. Where discrepancies occur, the installation instructions supersede these details.



Rmax

2075 Midway Road
Lewisville, TX 75056
Phone: (972)-850-3604
Email: Technical@Rmax.com

DRAWING NAME:

MASONRY CLADDING
Self-Adhered Tape and Flashing
Wall at Shelf Angle

SCALE:
NOT TO SCALE

REV. DATE:
07-10-2023

SUBSTRATE GROUP:
FRT WOOD STUD

DRW. NO.:
EM-SA-02-M-14

As a manufacturer of construction materials, Rmax provides general details as a general guide for informational purposes only. These details are not intended to replace sound engineering and architectural practices and should not be relied upon for that purpose. Rmax assumes no liability with respect to the design of the system. The architect, consultant and/or engineer or design professional for a particular project bears the sole responsibility for the design of the system, for the preparation and approval of the project specifications, details and shop drawings, and for determining their suitability for a particular project or application. **Rmax makes no warranty of any kind, either expressed or implied, as to the content of this guide detail. Rmax shall not be responsible under any legal theory to any third party for any direct or consequential damages of any kind arising from the use of this guide detail. All products and services provided by Rmax are subject to its terms and conditions of sale available at www.Rmax.com.**

Air/Water Sealing: Use common construction practice as required to maintain air/water barrier at penetrations.

Brick veneer wall ties
(see Air/Water Sealing note)

Brick veneer

ECOMAXci® FR AIR BARRIER

FRT wood sheathing as required

Rmax
insulation

R-SEAL 3000

R-SEAL 6000

Metal flashing
as specified

Sealant such as
R-SEAL 2000 LF

These details are graphical representation, not necessarily to scale and various features may be exaggerated. These details are intended to supplement the ECOMAXci® Wall Solution Installation Instructions located at www.Rmax.com, which should be consulted for additional guidance and installation requirements. Where discrepancies occur, the installation instructions supersede these details.



Rmax

2075 Midway Road
Lewisville, TX 75056
Phone: (972)-850-3604
Email: Technical@Rmax.com

DRAWING NAME:

MASONRY CLADDING
Self-Adhered Tape and Flashing
Wall at Foundation

SCALE:
NOT TO SCALE

REV. DATE:
07-10-2023

SUBSTRATE GROUP:
FRT WOOD STUD

DRW. NO.:
EM-SA-02-M-15


As a manufacturer of construction materials, Rmax provides general details as a general guide for informational purposes only. These details are not intended to replace sound engineering and architectural practices and should not be relied upon for that purpose. Rmax assumes no liability with respect to the design of the system. The architect, consultant and/or engineer or design professional for a particular project bears the sole responsibility for the design of the system, for the preparation and approval of the project specifications, details and shop drawings, and for determining their suitability for a particular project or application. **Rmax makes no warranty of any kind, either expressed or implied, as to the content of this guide detail. Rmax shall not be responsible under any legal theory to any third party for any direct or consequential damages of any kind arising from the use of this guide detail. All products and services provided by Rmax are subject to its terms and conditions of sale available at www.Rmax.com.**

ECOMAXci® WALL SOLUTION DETAILS

List of Details - Neutral Cladding and Masonry Cladding with Liquid Flashing

| NEUTRAL CLADDING DETAILS - LF | Drawing No. | MASONRY CLADDING DETAILS - LF | Drawing No. |
|---|---------------|-------------------------------|---------------|
| Wall at Roof Parapet, Option 1 | EM-LF-02-N-11 | Wall at Roof Parapet | EM-LF-02-M-11 |
| Wall at Roof Parapet, Option 2 | EM-LF-02-N-12 | Wall at Shelf Angle | EM-LF-02-M-14 |
| Wall at Roof Parapet, Option 3 | EM-LF-02-N-13 | Wall at Foundation | EM-LF-02-M-15 |
| Wall at Floor Line | EM-LF-02-N-14 | | |
| Wall at Foundation | EM-LF-02-N-15 | | |
| Rough Opening | EM-LF-02-N-21 | | |
| Wall Stationary Joint | EM-LF-02-N-31 | | |
| Wall Expansion Joint, 3/4" Maximum | EM-LF-02-N-32 | | |
| Wall Expansion Joint, 3/4" to 1-1/2" | EM-LF-02-N-33 | | |
| Wall Expansion Joint, 1-1/2" and Greater | EM-LF-02-N-34 | | |
| Control Joint and Wall Transition, Aligned Faces | EM-LF-02-N-38 | | |
| Control Joint and Wall Transition, Non-Aligned Faces | EM-LF-02-N-39 | | |
| Wall Transitions, Inside and Outside Corners | EM-LF-02-N-41 | | |
| Wall Penetrations | EM-LF-02-N-51 | | |
| Wall Penetrations, Small or Irregular | EM-LF-02-N-52 | | |

These details are graphical representation, not necessarily to scale and various features may be exaggerated. These details are intended to supplement the ECOMAXci® Wall Solution Installation Instructions located at www.Rmax.com, which should be consulted for additional guidance and installation requirements. Where discrepancies occur, the installation instructions supersede these details.

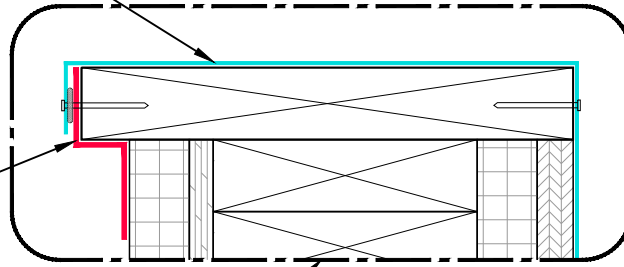
| | | | | | |
|--|---------------|------------------|---|---------------------|--|
|  <p>Rmax 2075 Midway Road Lewisville, TX 75056 Phone: (972)-850-3604 Email: Technical@Rmax.com</p> | DRAWING NAME: | | | GENERAL INFORMATION | |
| | | | | Liquid Flashing | |
| | | | List of Details - Neutral Cladding and Masonry Cladding | | |
| SCALE: | REV. DATE: | SUBSTRATE GROUP: | DRW. NO.: | | |
| NOT APPLICABLE | 07-10-2023 | FRT WOOD STUD | EM-LF-02-G-01 | | |
| <p>As a manufacturer of construction materials, Rmax provides general details as a general guide for informational purposes only. These details are not intended to replace sound engineering and architectural practices and should not be relied upon for that purpose. Rmax assumes no liability with respect to the design of the system. The architect, consultant and/or engineer or design professional for a particular project bears the sole responsibility for the design of the system, for the preparation and approval of the project specifications, details and shop drawings, and for determining their suitability for a particular project or application. Rmax makes no warranty of any kind, either expressed or implied, as to the content of this guide detail. Rmax shall not be responsible under any legal theory to any third party for any direct or consequential damages of any kind arising from the use of this guide detail. All products and services provided by Rmax are subject to its terms and conditions of sale available at www.Rmax.com.</p> | | | | | |

Roof flashing

- Extend over wall flashing material.
- Bond to wall flashing or apply compatible sealant.
- Mechanically attach as required.

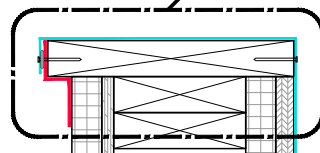
Note: Parapet cap not shown in details.

R-SEAL 6000



ECOMAXci® FR AIR BARRIER

FRT wood sheathing as required



Plywood

Rmax insulation

These details are graphical representation, not necessarily to scale and various features may be exaggerated. These details are intended to supplement the ECOMAXci® Wall Solution Installation Instructions located at www.Rmax.com, which should be consulted for additional guidance and installation requirements. Where discrepancies occur, the installation instructions supersede these details.



Rmax

2075 Midway Road
 Lewisville, TX 75056
 Phone: (972)-850-3604
 Email: Technical@Rmax.com

DRAWING NAME:

NEUTRAL CLADDING
 Liquid Flashing
 Wall at Roof Parapet, Option 1

SCALE:
 NOT TO SCALE

REV. DATE:
 07-10-2023

SUBSTRATE GROUP:
 FRT WOOD STUD

DRW. NO.:
 EM-LF-02-N-11

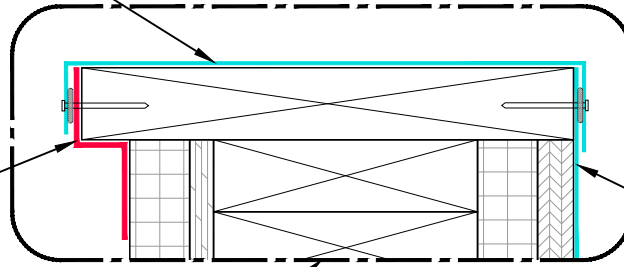
As a manufacturer of construction materials, Rmax provides general details as a general guide for informational purposes only. These details are not intended to replace sound engineering and architectural practices and should not be relied upon for that purpose. Rmax assumes no liability with respect to the design of the system. The architect, consultant and/or engineer or design professional for a particular project bears the sole responsibility for the design of the system, for the preparation and approval of the project specifications, details and shop drawings, and for determining their suitability for a particular project or application. Rmax makes no warranty of any kind, either expressed or implied, as to the content of this guide detail. Rmax shall not be responsible under any legal theory to any third party for any direct or consequential damages of any kind arising from the use of this guide detail. All products and services provided by Rmax are subject to its terms and conditions of sale available at www.Rmax.com.

Provide air barrier membranes to interconnect and seal the wall and the roof/parapet air barriers.

- Cap with separate compatible flashing material extended over over wall and roof flashing materials.
- Bond to each material or apply compatible sealant.
- Mechanically attach as required.

Note: Parapet cap not shown in details.

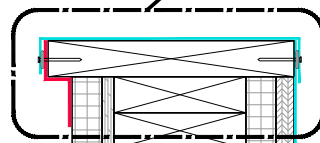
R-SEAL 6000



Roof flashing

ECOMAXci® FR AIR BARRIER

FRT wood sheathing as required



Plywood

Rmax insulation

These details are graphical representation, not necessarily to scale and various features may be exaggerated. These details are intended to supplement the ECOMAXci® Wall Solution Installation Instructions located at www.Rmax.com, which should be consulted for additional guidance and installation requirements. Where discrepancies occur, the installation instructions supersede these details.



Rmax

2075 Midway Road
Lewisville, TX 75056
Phone: (972)-850-3604
Email: Technical@Rmax.com

DRAWING NAME:

NEUTRAL CLADDING
Liquid Flashing
Wall at Roof Parapet, Option 2

SCALE:
NOT TO SCALE

REV. DATE:
07-10-2023

SUBSTRATE GROUP:
FRT WOOD STUD

DRW. NO.:
EM-LF-02-N-12

As a manufacturer of construction materials, Rmax provides general details as a general guide for informational purposes only. These details are not intended to replace sound engineering and architectural practices and should not be relied upon for that purpose. Rmax assumes no liability with respect to the design of the system. The architect, consultant and/or engineer or design professional for a particular project bears the sole responsibility for the design of the system, for the preparation and approval of the project specifications, details and shop drawings, and for determining their suitability for a particular project or application. **Rmax makes no warranty of any kind, either expressed or implied, as to the content of this guide detail. Rmax shall not be responsible under any legal theory to any third party for any direct or consequential damages of any kind arising from the use of this guide detail. All products and services provided by Rmax are subject to its terms and conditions of sale available at www.Rmax.com.**

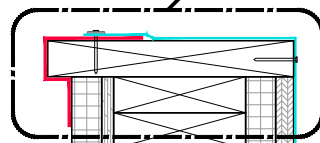
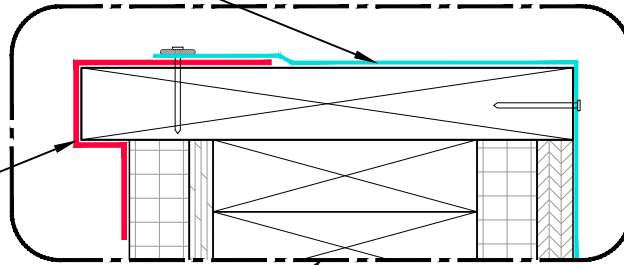
- Roof flashing
- Extend over wall flashing material.
 - Bond to wall flashing or apply compatible sealant.
 - Mechanically attach as required.

Note: Parapet cap not shown in details.

R-SEAL 6000

ECOMAXci® FR AIR BARRIER

FRT wood sheathing as required



Plywood

Rmax insulation

These details are graphical representation, not necessarily to scale and various features may be exaggerated. These details are intended to supplement the ECOMAXci® Wall Solution Installation Instructions located at www.Rmax.com, which should be consulted for additional guidance and installation requirements. Where discrepancies occur, the installation instructions supersede these details.



Rmax

2075 Midway Road
Lewisville, TX 75056
Phone: (972)-850-3604
Email: Technical@Rmax.com

DRAWING NAME:

NEUTRAL CLADDING
Liquid Flashing
Wall at Roof Parapet, Option 3

SCALE:
NOT TO SCALE

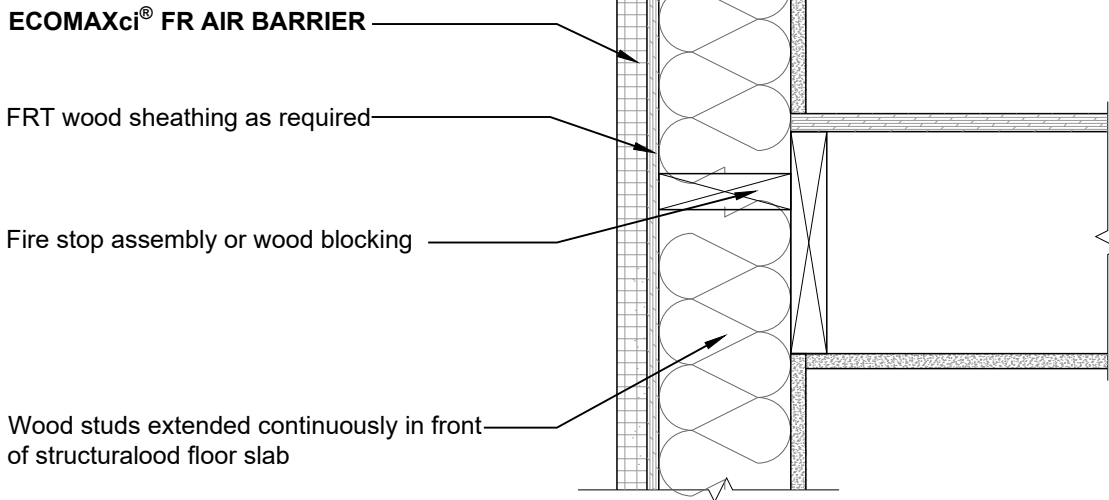
REV. DATE:
07-10-2023

SUBSTRATE GROUP:
FRT WOOD STUD

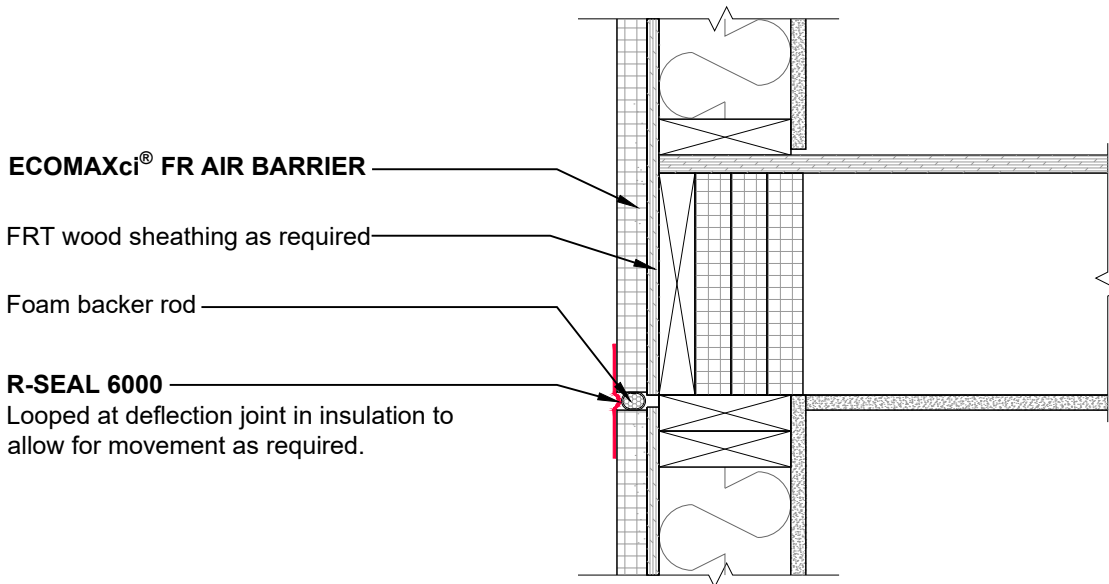
DRW. NO.:
EM-LF-02-N-13

As a manufacturer of construction materials, Rmax provides general details as a general guide for informational purposes only. These details are not intended to replace sound engineering and architectural practices and should not be relied upon for that purpose. Rmax assumes no liability with respect to the design of the system. The architect, consultant and/or engineer or design professional for a particular project bears the sole responsibility for the design of the system, for the preparation and approval of the project specifications, details and shop drawings, and for determining their suitability for a particular project or application. **Rmax makes no warranty of any kind, either expressed or implied, as to the content of this guide detail. Rmax shall not be responsible under any legal theory to any third party for any direct or consequential damages of any kind arising from the use of this guide detail. All products and services provided by Rmax are subject to its terms and conditions of sale available at www.Rmax.com.**

Note: For added protection, counter flash skyward facing edges of R-SEAL 6000 with R-SEAL 2000 LF or R-SEAL 3000.



FLOOR LINE FIRE STOPPING DETAIL



FLOOR LINE INSULATION DEFLECTION JOINT DETAIL

These details are graphical representation, not necessarily to scale and various features may be exaggerated. These details are intended to supplement the ECOMAXci® Wall Solution Installation Instructions located at www.Rmax.com, which should be consulted for additional guidance and installation requirements. Where discrepancies occur, the installation instructions supersede these details.



Rmax

2075 Midway Road
Lewisville, TX 75056
Phone: (972)-850-3604
Email: Technical@Rmax.com

DRAWING NAME:

NEUTRAL CLADDING
Liquid Flashing
Wall at Floor Line

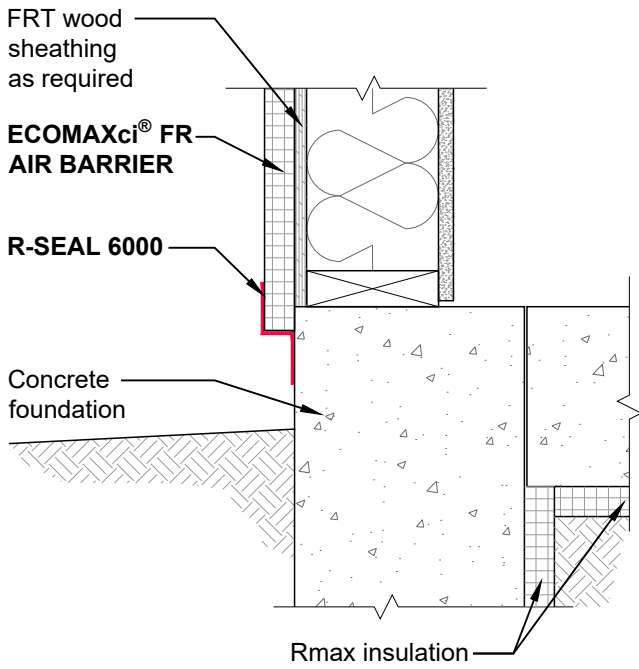
SCALE:
NOT TO SCALE

REV. DATE:
07-10-2023

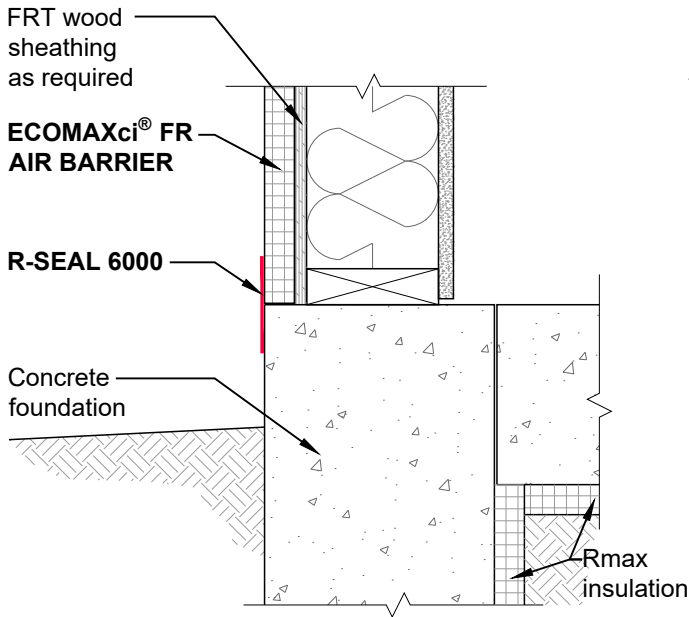
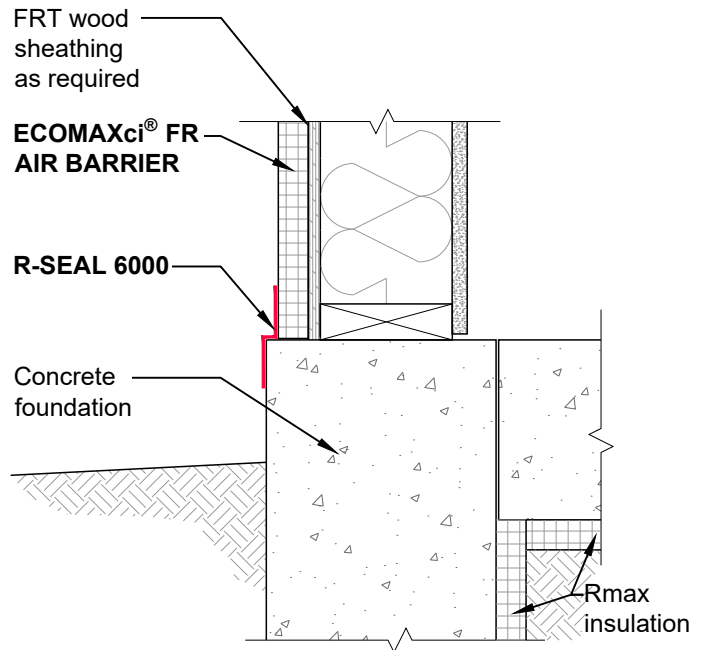
SUBSTRATE GROUP:
FRT WOOD STUD

DRW. NO.:
EM-LF-02-N-14

As a manufacturer of construction materials, Rmax provides general details as a general guide for informational purposes only. These details are not intended to replace sound engineering and architectural practices and should not be relied upon for that purpose. Rmax assumes no liability with respect to the design of the system. The architect, consultant and/or engineer or design professional for a particular project bears the sole responsibility for the design of the system, for the preparation and approval of the project specifications, details and shop drawings, and for determining their suitability for a particular project or application. Rmax makes no warranty of any kind, either expressed or implied, as to the content of this guide detail. Rmax shall not be responsible under any legal theory to any third party for any direct or consequential damages of any kind arising from the use of this guide detail. All products and services provided by Rmax are subject to its terms and conditions of sale available at www.Rmax.com.



Note: For added protection, counter flash skyward facing edges of R-SEAL 6000 with R-SEAL 2000 LF or R-SEAL 3000.



These details are graphical representation, not necessarily to scale and various features may be exaggerated. These details are intended to supplement the ECOMAXci® Wall Solution Installation Instructions located at www.Rmax.com, which should be consulted for additional guidance and installation requirements. Where discrepancies occur, the installation instructions supersede these details.



Rmax

2075 Midway Road
Lewisville, TX 75056
Phone: (972)-850-3604
Email: Technical@Rmax.com

DRAWING NAME:

NEUTRAL CLADDING
Liquid Flashing
Wall at Foundation

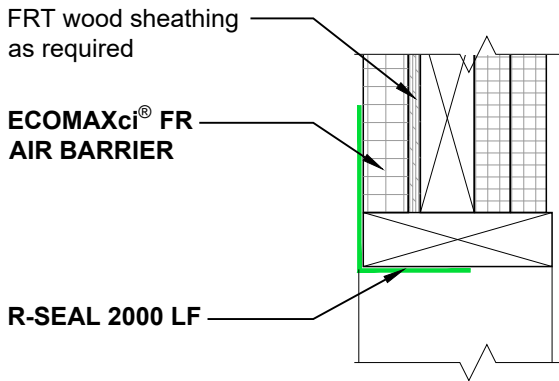
SCALE:
NOT TO SCALE

REV. DATE:
07-10-2023

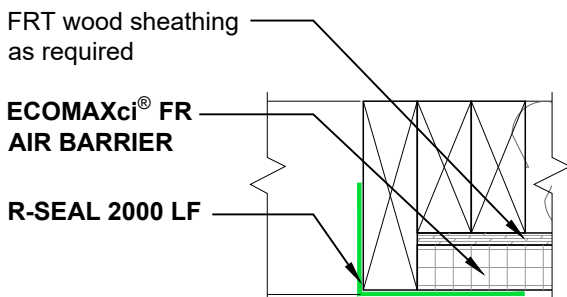
SUBSTRATE GROUP:
FRT WOOD STUD

DRW. NO.:
EM-LF-02-N-15

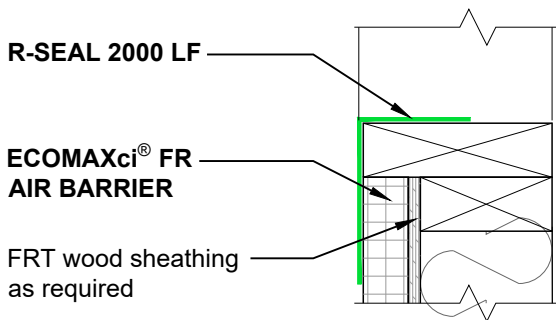
As a manufacturer of construction materials, Rmax provides general details as a general guide for informational purposes only. These details are not intended to replace sound engineering and architectural practices and should not be relied upon for that purpose. Rmax assumes no liability with respect to the design of the system. The architect, consultant and/or engineer or design professional for a particular project bears the sole responsibility for the design of the system, for the preparation and approval of the project specifications, details and shop drawings, and for determining their suitability for a particular project or application. Rmax makes no warranty of any kind, either expressed or implied, as to the content of this guide detail. Rmax shall not be responsible under any legal theory to any third party for any direct or consequential damages of any kind arising from the use of this guide detail. All products and services provided by Rmax are subject to its terms and conditions of sale available at www.Rmax.com.



HEAD DETAIL (Vertical Section)

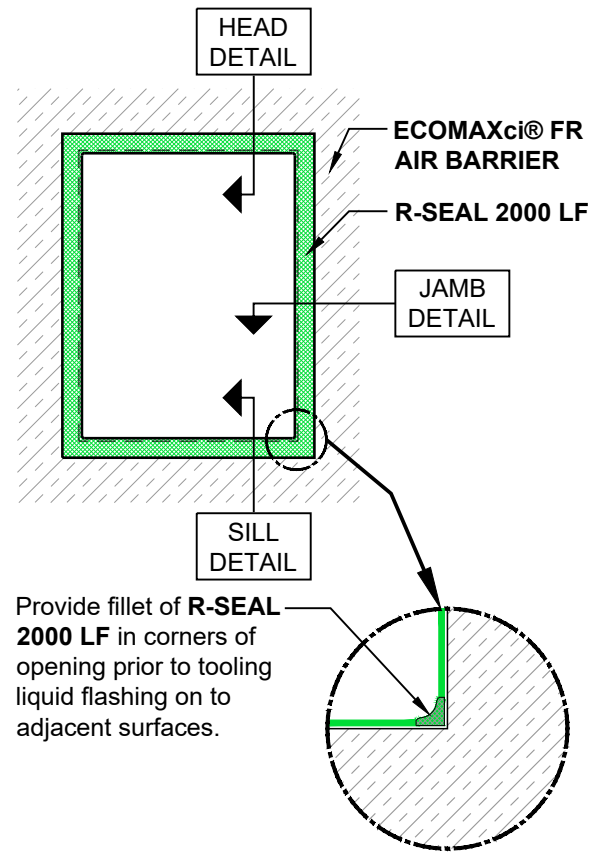


JAMB DETAIL (Horizontal Section)



SILL DETAIL (Vertical Section)

Note: For added protection, insure that skyward facing edges of R-SEAL 2000 LF are feathered to direct moisture over surface.



ROUGH OPENING ELEVATION

These details are graphical representation, not necessarily to scale and various features may be exaggerated. These details are intended to supplement the ECOMAXci® Wall Solution Installation Instructions located at www.Rmax.com, which should be consulted for additional guidance and installation requirements. Where discrepancies occur, the installation instructions supersede these details.



Rmax

2075 Midway Road
Lewisville, TX 75056
Phone: (972)-850-3604
Email: Technical@Rmax.com

DRAWING NAME:

NEUTRAL CLADDING
Liquid Flashing
Rough Opening

SCALE:
NOT TO SCALE

REV. DATE:
07-10-2023

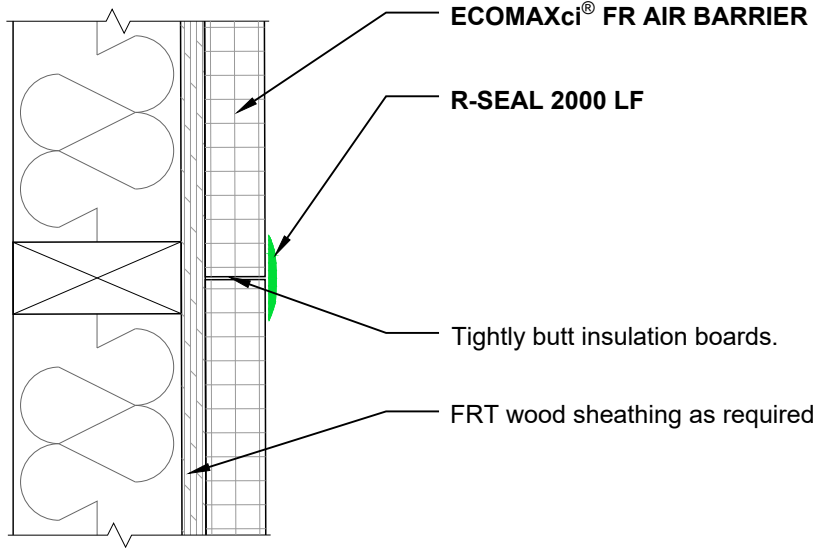
SUBSTRATE GROUP:
FRT WOOD STUD

DRW. NO.:
EM-LF-02-N-21

As a manufacturer of construction materials, Rmax provides general details as a general guide for informational purposes only. These details are not intended to replace sound engineering and architectural practices and should not be relied upon for that purpose. Rmax assumes no liability with respect to the design of the system. The architect, consultant and/or engineer or design professional for a particular project bears the sole responsibility for the design of the system, for the preparation and approval of the project specifications, details and shop drawings, and for determining their suitability for a particular project or application. Rmax makes no warranty of any kind, either expressed or implied, as to the content of this guide detail. Rmax shall not be responsible under any legal theory to any third party for any direct or consequential damages of any kind arising from the use of this guide detail. All products and services provided by Rmax are subject to its terms and conditions of sale available at www.Rmax.com.

Notes:

- Vertical joint show, also applies at horizontal joints. Vertical joints must be backed by framing.
- Fill gaps greater than 1/4".



These details are graphical representation, not necessarily to scale and various features may be exaggerated. These details are intended to supplement the ECOMAXci® Wall Solution Installation Instructions located at www.Rmax.com, which should be consulted for additional guidance and installation requirements. Where discrepancies occur, the installation instructions supersede these details.



Rmax

2075 Midway Road
Lewisville, TX 75056
Phone: (972)-850-3604
Email: Technical@Rmax.com

DRAWING NAME:

NEUTRAL CLADDING
Liquid Flashing
Wall Stationary Joint

SCALE:

NOT TO SCALE

REV. DATE:

07-10-2023

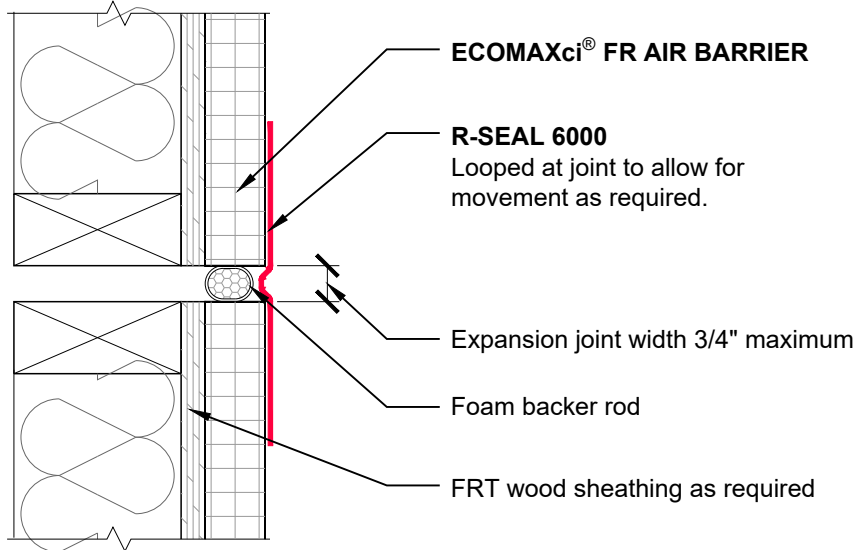
SUBSTRATE GROUP:

FRT WOOD STUD

DRW. NO.:

EM-LF-02-N-31

As a manufacturer of construction materials, Rmax provides general details as a general guide for informational purposes only. These details are not intended to replace sound engineering and architectural practices and should not be relied upon for that purpose. Rmax assumes no liability with respect to the design of the system. The architect, consultant and/or engineer or design professional for a particular project bears the sole responsibility for the design of the system, for the preparation and approval of the project specifications, details and shop drawings, and for determining their suitability for a particular project or application. **Rmax makes no warranty of any kind, either expressed or implied, as to the content of this guide detail. Rmax shall not be responsible under any legal theory to any third party for any direct or consequential damages of any kind arising from the use of this guide detail.** All products and services provided by Rmax are subject to its terms and conditions of sale available at www.Rmax.com.



Note: Vertical expansion joint shown.
Refer to deflection joint details for horizontal joint conditions.

These details are graphical representation, not necessarily to scale and various features may be exaggerated. These details are intended to supplement the ECOMAXci® Wall Solution Installation Instructions located at www.Rmax.com, which should be consulted for additional guidance and installation requirements. Where discrepancies occur, the installation instructions supersede these details.



Rmax

2075 Midway Road
Lewisville, TX 75056
Phone: (972)-850-3604
Email: Technical@Rmax.com

DRAWING NAME:

NEUTRAL CLADDING
Liquid Flashing
Wall Expansion Joint, 3/4" Maximum

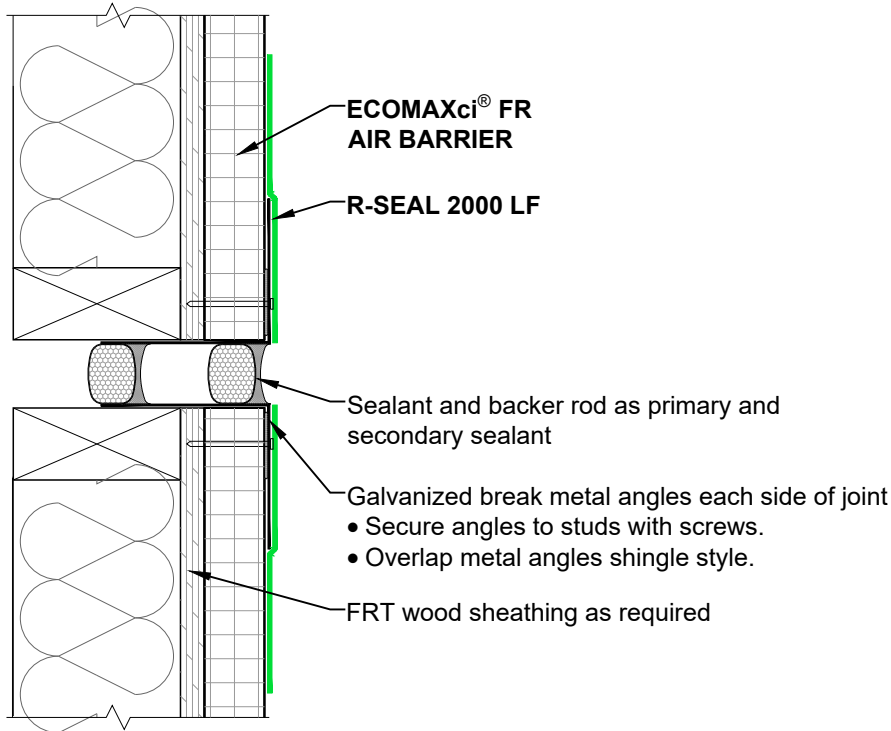
SCALE:
NOT TO SCALE

REV. DATE:
07-10-2023

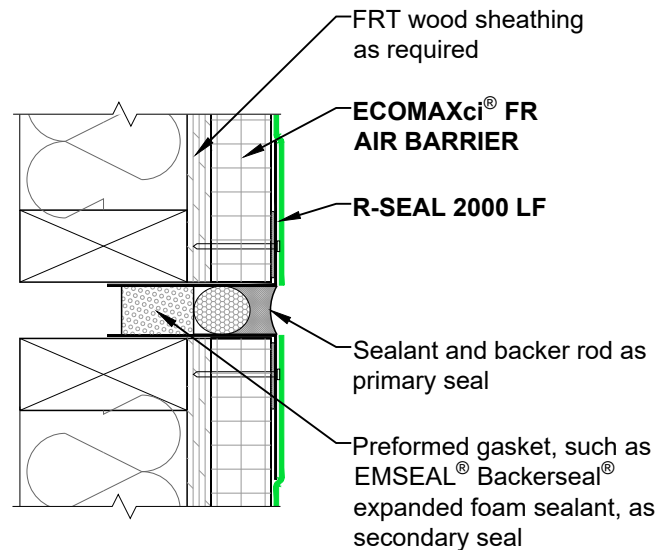
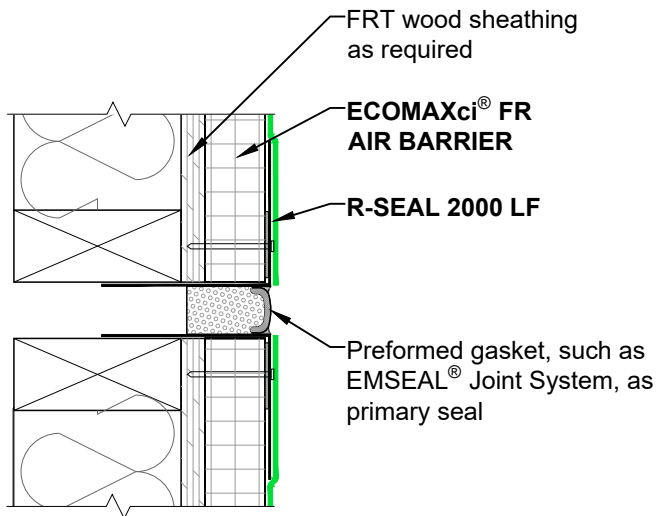
SUBSTRATE GROUP:
FRT WOOD STUD

DRW. NO.:
EM-LF-02-N-32

As a manufacturer of construction materials, Rmax provides general details as a general guide for informational purposes only. These details are not intended to replace sound engineering and architectural practices and should not be relied upon for that purpose. Rmax assumes no liability with respect to the design of the system. The architect, consultant and/or engineer or design professional for a particular project bears the sole responsibility for the design of the system, for the preparation and approval of the project specifications, details and shop drawings, and for determining their suitability for a particular project or application. **Rmax makes no warranty of any kind, either expressed or implied, as to the content of this guide detail. Rmax shall not be responsible under any legal theory to any third party for any direct or consequential damages of any kind arising from the use of this guide detail.** All products and services provided by Rmax are subject to its terms and conditions of sale available at www.Rmax.com.



Note: Vertical expansion joint shown. Refer to deflection joint details for horizontal joint conditions.



These details are graphical representation, not necessarily to scale and various features may be exaggerated. These details are intended to supplement the ECOMAXci® Wall Solution Installation Instructions located at www.Rmax.com, which should be consulted for additional guidance and installation requirements. Where discrepancies occur, the installation instructions supersede these details.



Rmax

2075 Midway Road
Lewisville, TX 75056
Phone: (972)-850-3604
Email: Technical@Rmax.com

DRAWING NAME:

NEUTRAL CLADDING
Liquid Flashing
Wall Expansion Joint, 3/4" to 1-1/2"

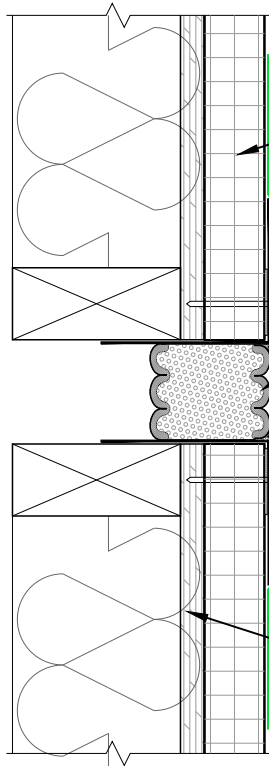
SCALE:
NOT TO SCALE

REV. DATE:
07-10-2023

SUBSTRATE GROUP:
FRT WOOD STUD

DRW. NO.:
EM-LF-02-N-33

As a manufacturer of construction materials, Rmax provides general details as a general guide for informational purposes only. These details are not intended to replace sound engineering and architectural practices and should not be relied upon for that purpose. Rmax assumes no liability with respect to the design of the system. The architect, consultant and/or engineer or design professional for a particular project bears the sole responsibility for the design of the system, for the preparation and approval of the project specifications, details and shop drawings, and for determining their suitability for a particular project or application. Rmax makes no warranty of any kind, either expressed or implied, as to the content of this guide detail. Rmax shall not be responsible under any legal theory to any third party for any direct or consequential damages of any kind arising from the use of this guide detail. All products and services provided by Rmax are subject to its terms and conditions of sale available at www.Rmax.com.



ECOMAXci® FR AIR BARRIER

R-SEAL 2000 LF

Preformed gasket, such as EMSEAL® Joint System, as primary seal

Apply silicone sealant as recommended by joint system manufacturer. Verify sealant compatibility.

Galvanized break metal angles each side of joint
 • Secure angles to studs with screws.
 • Overlap metal angles shingle style.

FRT wood sheathing as required

Note: Vertical expansion joint shown.
 Refer to deflection joint details for horizontal joint conditions.

These details are graphical representation, not necessarily to scale and various features may be exaggerated. These details are intended to supplement the ECOMAXci® Wall Solution Installation Instructions located at www.Rmax.com, which should be consulted for additional guidance and installation requirements. Where discrepancies occur, the installation instructions supersede these details.



Rmax

2075 Midway Road
 Lewisville, TX 75056
 Phone: (972)-850-3604
 Email: Technical@Rmax.com

DRAWING NAME:

NEUTRAL CLADDING
 Liquid Flashing
 Wall Expansion Joint, 1-1/2" and Greater

SCALE:
 NOT TO SCALE

REV. DATE:
 07-10-2023

SUBSTRATE GROUP:
 FRT WOOD STUD

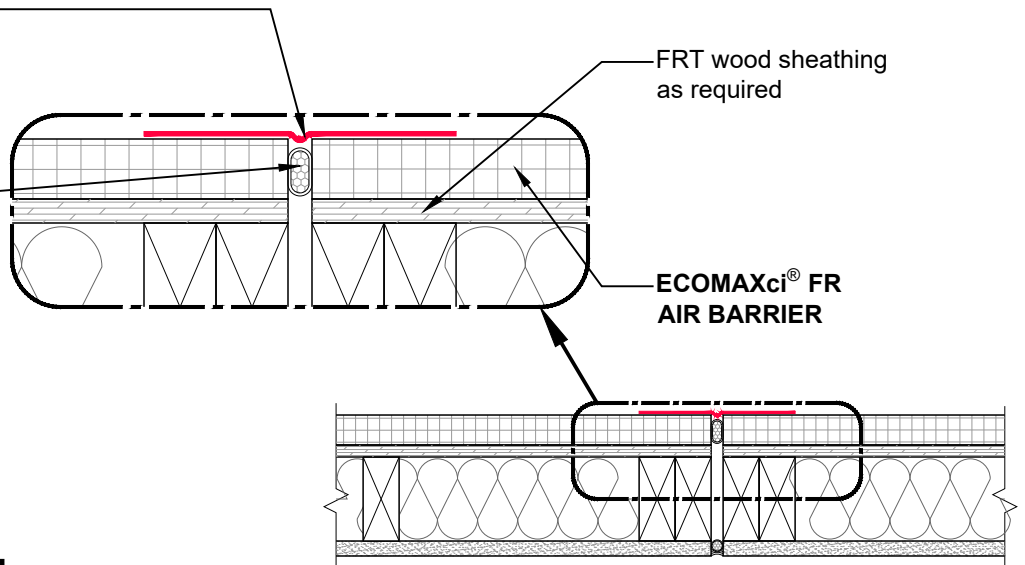
DRW. NO.:
 EM-LF-02-N-34

As a manufacturer of construction materials, Rmax provides general details as a general guide for informational purposes only. These details are not intended to replace sound engineering and architectural practices and should not be relied upon for that purpose. Rmax assumes no liability with respect to the design of the system. The architect, consultant and/or engineer or design professional for a particular project bears the sole responsibility for the design of the system, for the preparation and approval of the project specifications, details and shop drawings, and for determining their suitability for a particular project or application. **Rmax makes no warranty of any kind, either expressed or implied, as to the content of this guide detail. Rmax shall not be responsible under any legal theory to any third party for any direct or consequential damages of any kind arising from the use of this guide detail.** All products and services provided by Rmax are subject to its terms and conditions of sale available at www.Rmax.com.

R-SEAL 6000

Looped at joint to allow for movement as required.

Insulating foam or foam backer rod

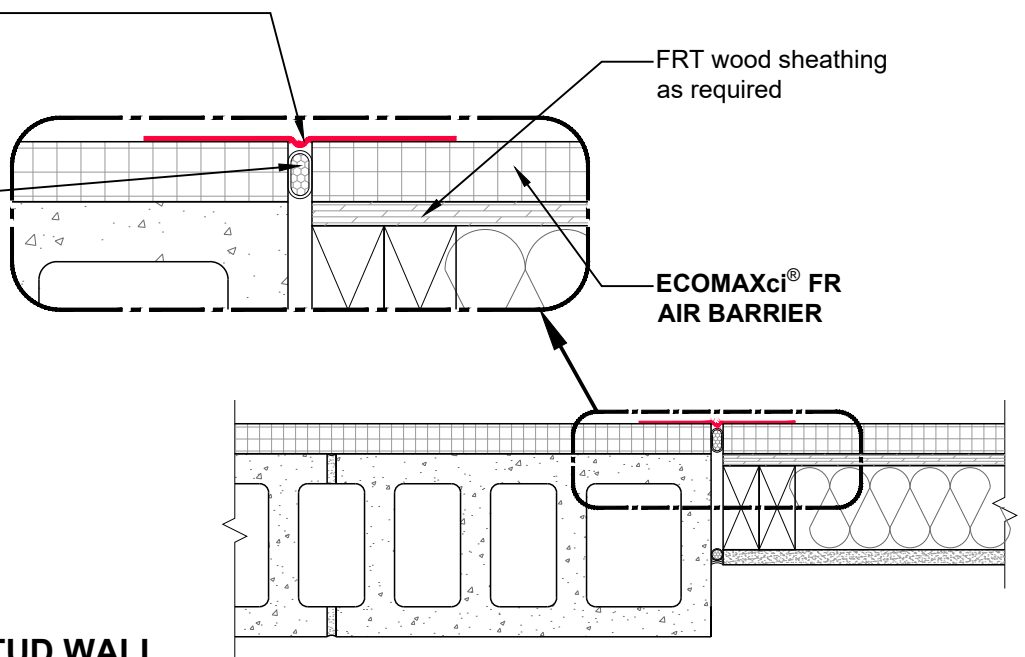


FRT WOOD STUD WALL

R-SEAL 6000

Looped at joint to allow for movement as required.

Insulating foam or foam backer rod



CMU TO FRT WOOD STUD WALL

These details are graphical representation, not necessarily to scale and various features may be exaggerated. These details are intended to supplement the ECOMAXci® Wall Solution Installation Instructions located at www.Rmax.com, which should be consulted for additional guidance and installation requirements. Where discrepancies occur, the installation instructions supersede these details.



Rmax

2075 Midway Road
Lewisville, TX 75056
Phone: (972)-850-3604
Email: Technical@Rmax.com

DRAWING NAME:

NEUTRAL CLADDING
Liquid Flashing
Control Joint and Wall Transition, Aligned Faces

SCALE:
NOT TO SCALE

REV. DATE:
07-10-2023

SUBSTRATE GROUP:
FRT WOOD STUD

DRW. NO.:
EM-LF-02-N-38

As a manufacturer of construction materials, Rmax provides general details as a general guide for informational purposes only. These details are not intended to replace sound engineering and architectural practices and should not be relied upon for that purpose. Rmax assumes no liability with respect to the design of the system. The architect, consultant and/or engineer or design professional for a particular project bears the sole responsibility for the design of the system, for the preparation and approval of the project specifications, details and shop drawings, and for determining their suitability for a particular project or application. Rmax makes no warranty of any kind, either expressed or implied, as to the content of this guide detail. Rmax shall not be responsible under any legal theory to any third party for any direct or consequential damages of any kind arising from the use of this guide detail. All products and services provided by Rmax are subject to its terms and conditions of sale available at www.Rmax.com.

R-SEAL 6000

Looped at joint to allow for movement as required.

Applied WRB - AB

FRT wood sheathing as required

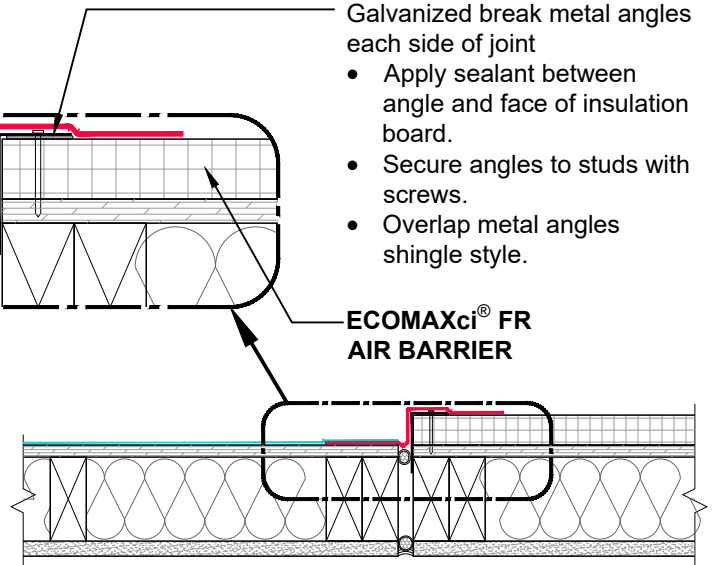
Insulating foam or foam backer rod

Galvanized break metal angles each side of joint

- Apply sealant between angle and face of insulation board.
- Secure angles to studs with screws.
- Overlap metal angles shingle style.

ECOMAXci® FR AIR BARRIER

ECOMAXci® FR AIR BARRIER TO SHEATHING



R-SEAL 6000

Looped at joint to allow for movement as required.

Applied WRB - AB

Insulating foam or foam backer rod

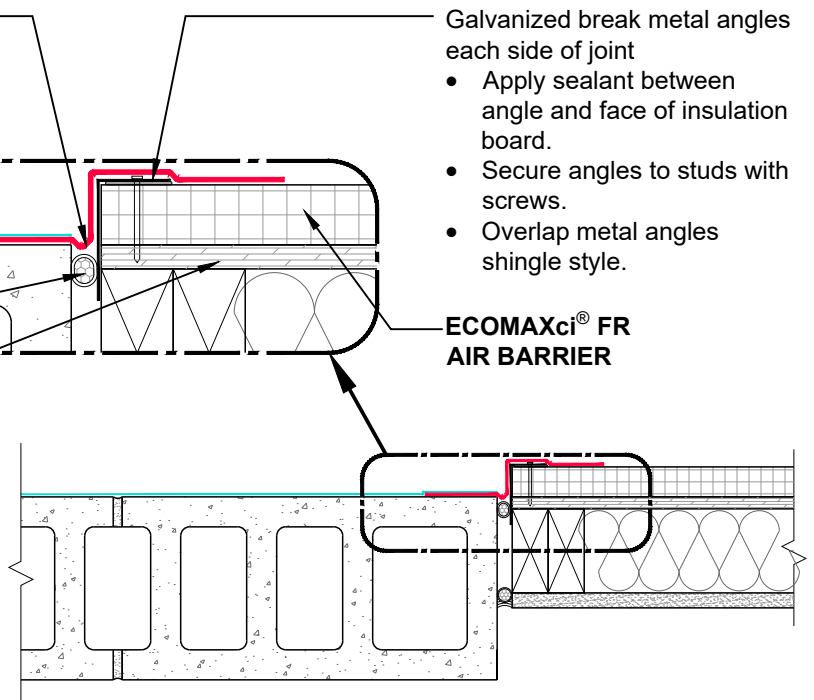
FRT wood sheathing as required

Galvanized break metal angles each side of joint

- Apply sealant between angle and face of insulation board.
- Secure angles to studs with screws.
- Overlap metal angles shingle style.

ECOMAXci® FR AIR BARRIER

ECOMAXci® FR AIR BARRIER TO CMU



These details are graphical representation, not necessarily to scale and various features may be exaggerated. These details are intended to supplement the ECOMAXci® Wall Solution Installation Instructions located at www.Rmax.com, which should be consulted for additional guidance and installation requirements. Where discrepancies occur, the installation instructions supersede these details.



Rmax

2075 Midway Road
Lewisville, TX 75056
Phone: (972)-850-3604
Email: Technical@Rmax.com

DRAWING NAME:

NEUTRAL CLADDING
Liquid Flashing
Control Joint and Wall Transition, Non-Aligned Faces

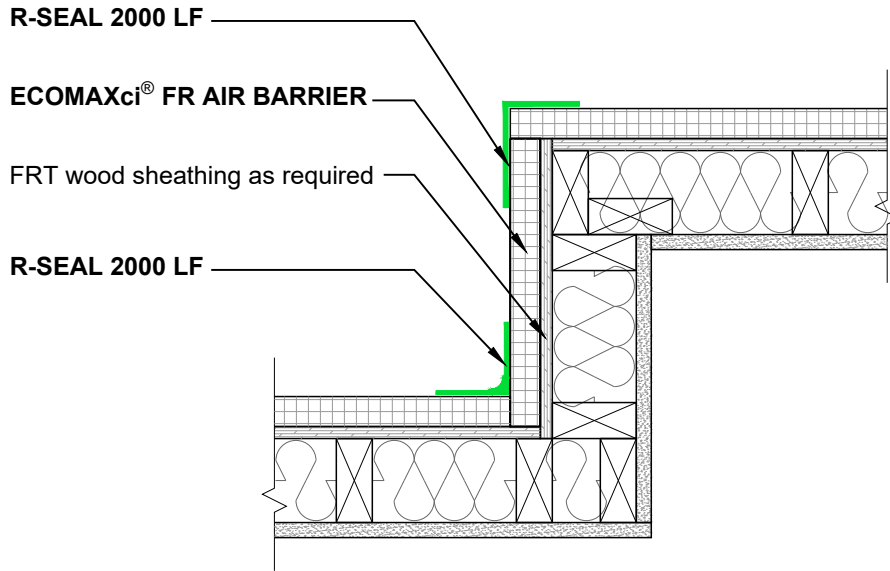
SCALE:
NOT TO SCALE

REV. DATE:
07-10-2023

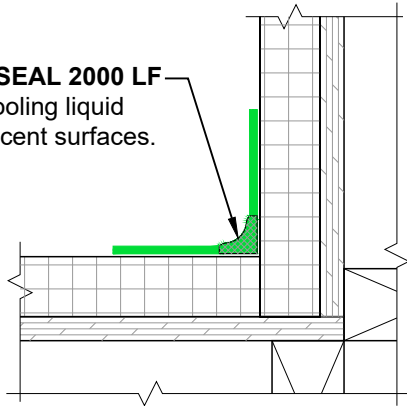
SUBSTRATE GROUP:
FRT WOOD STUD

DRW. NO.:
EM-LF-02-N-39

As a manufacturer of construction materials, Rmax provides general details as a general guide for informational purposes only. These details are not intended to replace sound engineering and architectural practices and should not be relied upon for that purpose. Rmax assumes no liability with respect to the design of the system. The architect, consultant and/or engineer or design professional for a particular project bears the sole responsibility for the design of the system, for the preparation and approval of the project specifications, details and shop drawings, and for determining their suitability for a particular project or application. Rmax makes no warranty of any kind, either expressed or implied, as to the content of this guide detail. Rmax shall not be responsible under any legal theory to any third party for any direct or consequential damages of any kind arising from the use of this guide detail. All products and services provided by Rmax are subject to its terms and conditions of sale available at www.Rmax.com.

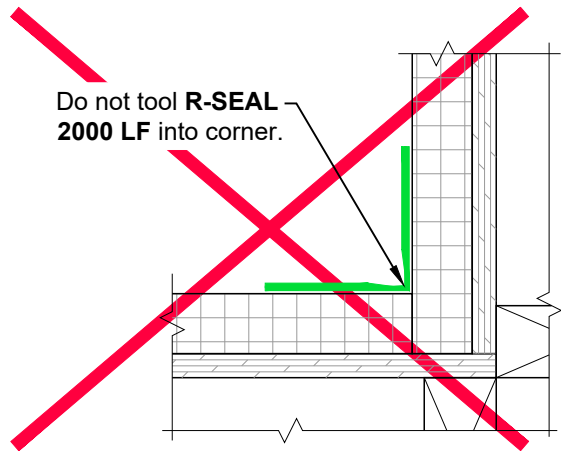


Provide fillet of R-SEAL 2000 LF in corner prior to tooling liquid flashing on to adjacent surfaces.



BEST PRACTICE

Do not tool R-SEAL 2000 LF into corner.



IMPROPER PRACTICE

These details are graphical representation, not necessarily to scale and various features may be exaggerated. These details are intended to supplement the ECOMAXci® Wall Solution Installation Instructions located at www.Rmax.com, which should be consulted for additional guidance and installation requirements. Where discrepancies occur, the installation instructions supersede these details.



Rmax

2075 Midway Road
Lewisville, TX 75056
Phone: (972)-850-3604
Email: Technical@Rmax.com

DRAWING NAME:

NEUTRAL CLADDING
Liquid Flashing
Wall Transition, Inside and Outside Corners

SCALE:
NOT TO SCALE

REV. DATE:
07-10-2023

SUBSTRATE GROUP:
FRT WOOD STUD

DRW. NO.:
EM-LF-02-N-41

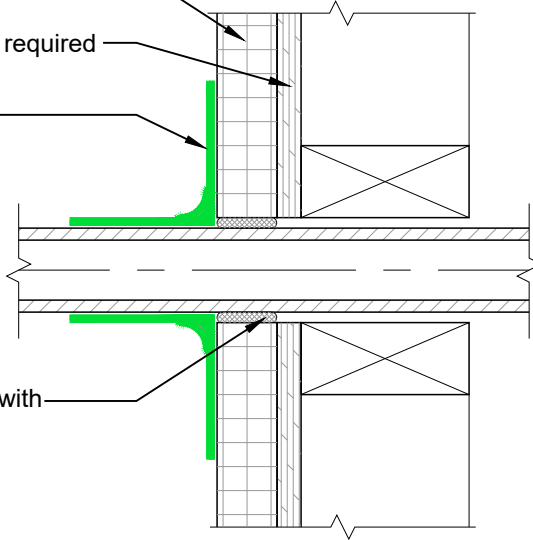
As a manufacturer of construction materials, Rmax provides general details as a general guide for informational purposes only. These details are not intended to replace sound engineering and architectural practices and should not be relied upon for that purpose. Rmax assumes no liability with respect to the design of the system. The architect, consultant and/or engineer or design professional for a particular project bears the sole responsibility for the design of the system, for the preparation and approval of the project specifications, details and shop drawings, and for determining their suitability for a particular project or application. **Rmax makes no warranty of any kind, either expressed or implied, as to the content of this guide detail. Rmax shall not be responsible under any legal theory to any third party for any direct or consequential damages of any kind arising from the use of this guide detail. All products and services provided by Rmax are subject to its terms and conditions of sale available at www.Rmax.com.**

ECOMAXci® FR AIR BARRIER

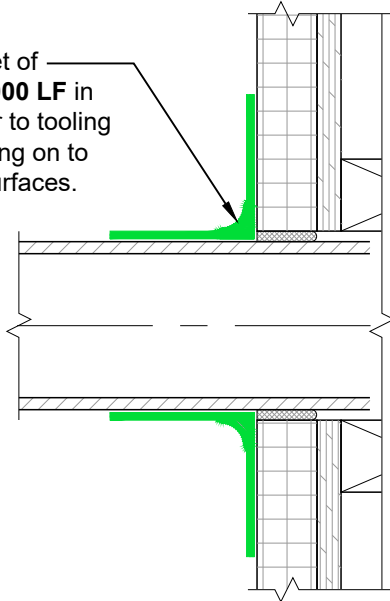
FRT wood sheathing as required

R-SEAL 2000 LF

Fill gaps over 1/4" wide with R-SEAL 2000 LF or insulating foam.

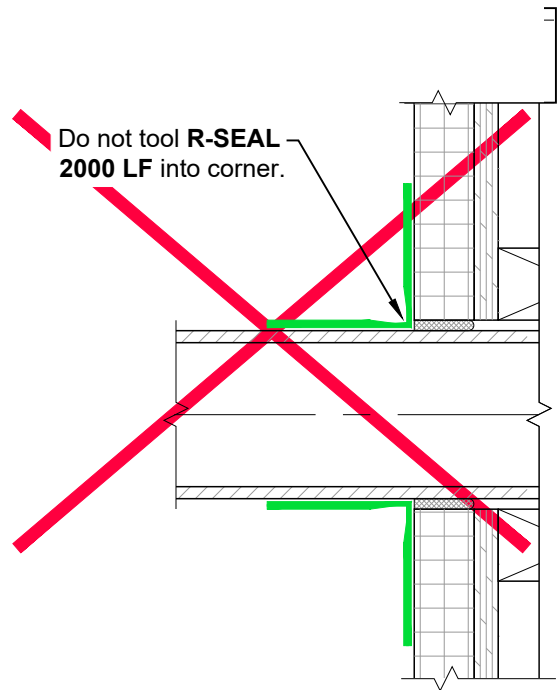


Provide fillet of R-SEAL 2000 LF in corner prior to tooling liquid flashing on to adjacent surfaces.



BEST PRACTICE

Do not tool R-SEAL 2000 LF into corner.



IMPROPER PRACTICE

These details are graphical representation, not necessarily to scale and various features may be exaggerated. These details are intended to supplement the ECOMAXci® Wall Solution Installation Instructions located at www.Rmax.com, which should be consulted for additional guidance and installation requirements. Where discrepancies occur, the installation instructions supersede these details.



Rmax

2075 Midway Road
Lewisville, TX 75056
Phone: (972)-850-3604
Email: Technical@Rmax.com

DRAWING NAME:

NEUTRAL CLADDING
Liquid Flashing
Wall Penetrations

SCALE:
NOT TO SCALE

REV. DATE:
07-10-2023

SUBSTRATE GROUP:
FRT WOOD STUD

DRW. NO.:
EM-LF-02-N-51

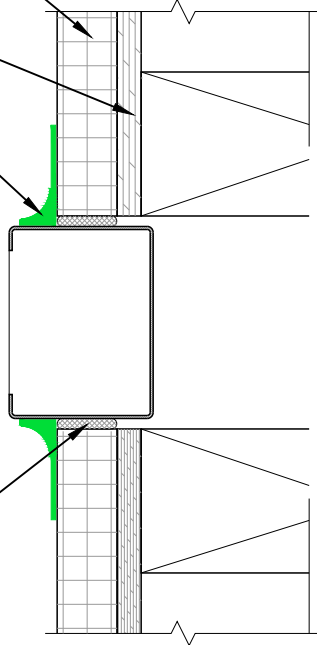
As a manufacturer of construction materials, Rmax provides general details as a general guide for informational purposes only. These details are not intended to replace sound engineering and architectural practices and should not be relied upon for that purpose. Rmax assumes no liability with respect to the design of the system. The architect, consultant and/or engineer or design professional for a particular project bears the sole responsibility for the design of the system, for the preparation and approval of the project specifications, details and shop drawings, and for determining their suitability for a particular project or application. **Rmax makes no warranty of any kind, either expressed or implied, as to the content of this guide detail. Rmax shall not be responsible under any legal theory to any third party for any direct or consequential damages of any kind arising from the use of this guide detail. All products and services provided by Rmax are subject to its terms and conditions of sale available at www.Rmax.com.**

**ECOMAXci® FR
AIR BARRIER**

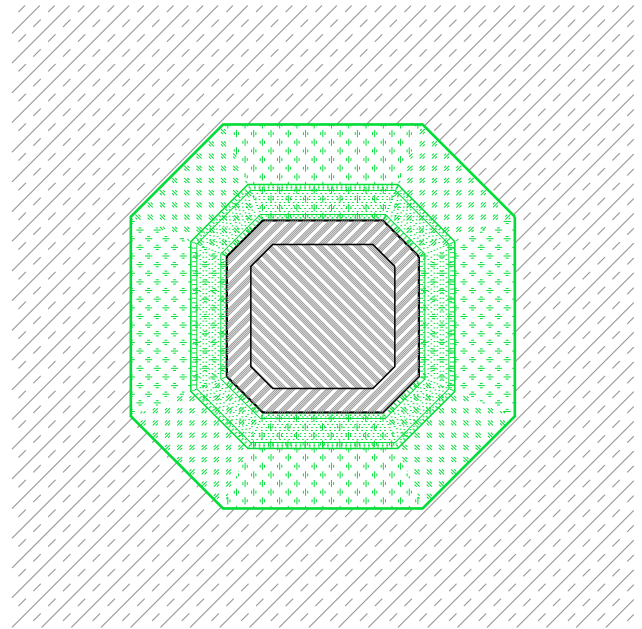
FRT wood sheathing
as required

R-SEAL 2000 LF

Fill gaps over 1/4" wide
with insulating foam.



Note: Use this detail where there is not adequate size or shoulder depth to install R-SEAL 2000 LF as shown in details on Drawing No. EM-LF-02-N-51.



These details are graphical representation, not necessarily to scale and various features may be exaggerated. These details are intended to supplement the ECOMAXci® Wall Solution Installation Instructions located at www.Rmax.com, which should be consulted for additional guidance and installation requirements. Where discrepancies occur, the installation instructions supersede these details.



Rmax

2075 Midway Road
Lewisville, TX 75056
Phone: (972)-850-3604
Email: Technical@Rmax.com

DRAWING NAME:

NEUTRAL CLADDING
Liquid Flashing
Wall Penetrations, Small or Irregular

SCALE:
NOT TO SCALE

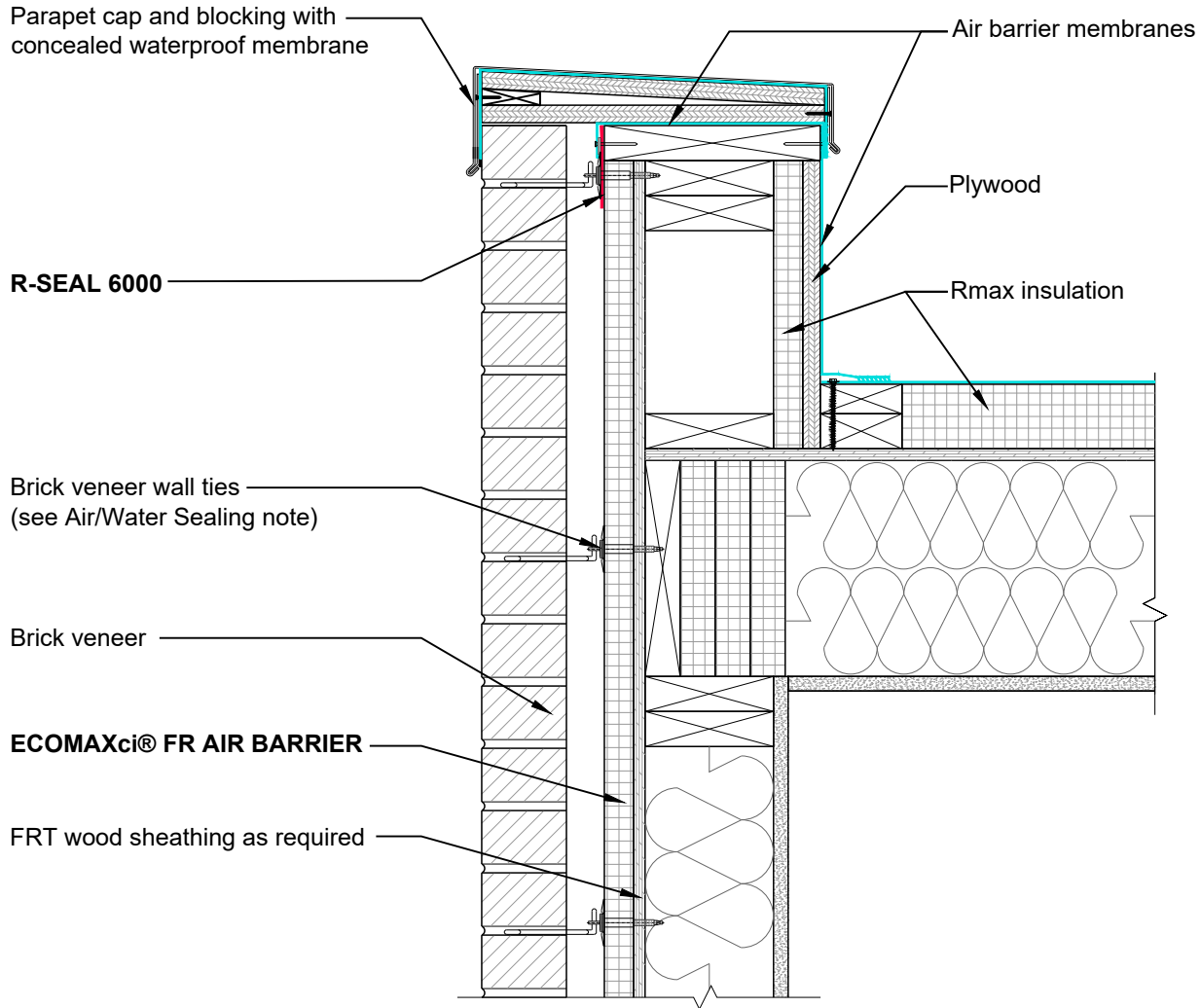
REV. DATE:
07-10-2023

SUBSTRATE GROUP:
FRT WOOD STUD

DRW. NO.:
EM-LF-02-N-52

As a manufacturer of construction materials, Rmax provides general details as a general guide for informational purposes only. These details are not intended to replace sound engineering and architectural practices and should not be relied upon for that purpose. Rmax assumes no liability with respect to the design of the system. The architect, consultant and/or engineer or design professional for a particular project bears the sole responsibility for the design of the system, for the preparation and approval of the project specifications, details and shop drawings, and for determining their suitability for a particular project or application. **Rmax makes no warranty of any kind, either expressed or implied, as to the content of this guide detail. Rmax shall not be responsible under any legal theory to any third party for any direct or consequential damages of any kind arising from the use of this guide detail. All products and services provided by Rmax are subject to its terms and conditions of sale available at www.Rmax.com.**

Air/Water Sealing: Use common construction practice as required to maintain air/water barrier at penetrations.



SA > & < LF Image

These details are graphical representation, not necessarily to scale and various features may be exaggerated. These details are intended to supplement the ECOMAXci® Wall Solution Installation Instructions located at www.Rmax.com, which should be consulted for additional guidance and installation requirements. Where discrepancies occur, the installation instructions supersede these details.



Rmax

2075 Midway Road
 Lewisville, TX 75056
 Phone: (972)-850-3604
 Email: Technical@Rmax.com

DRAWING NAME:

MASONRY CLADDING
 Liquid Flashing
 Wall at Roof Parapet

SCALE:
 NOT TO SCALE

REV. DATE:
 07-10-2023

SUBSTRATE GROUP:
 FRT WOOD STUD

DRW. NO.:
 EM-LF-02-M-11

As a manufacturer of construction materials, Rmax provides general details as a general guide for informational purposes only. These details are not intended to replace sound engineering and architectural practices and should not be relied upon for that purpose. Rmax assumes no liability with respect to the design of the system. The architect, consultant and/or engineer or design professional for a particular project bears the sole responsibility for the design of the system, for the preparation and approval of the project specifications, details and shop drawings, and for determining their suitability for a particular project or application. **Rmax makes no warranty of any kind, either expressed or implied, as to the content of this guide detail. Rmax shall not be responsible under any legal theory to any third party for any direct or consequential damages of any kind arising from the use of this guide detail.** All products and services provided by Rmax are subject to its terms and conditions of sale available at www.Rmax.com.

ECOMAXci® FR AIR BARRIER

Brick veneer wall ties
(see Air/Water Sealing note)

FRT wood sheathing as required

Brick veneer

Shelf angle for masonry support

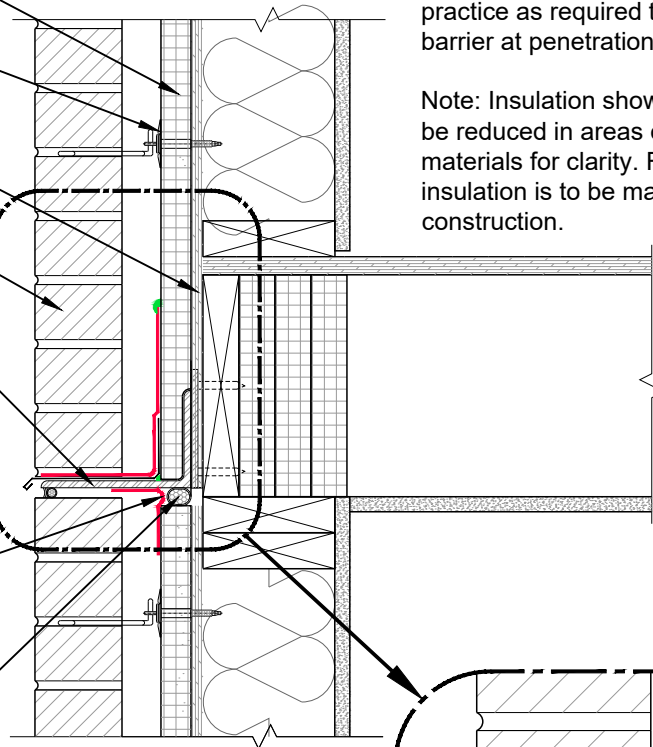
R-SEAL 6000

Looped at joint to allow for movement as required.

Foam backer rod

Air/Water Sealing: Use common construction practice as required to maintain air/water barrier at penetrations.

Note: Insulation shown in this drawing may be reduced in areas of flashing or framing materials for clarity. Full thickness of insulation is to be maintained in actual construction.

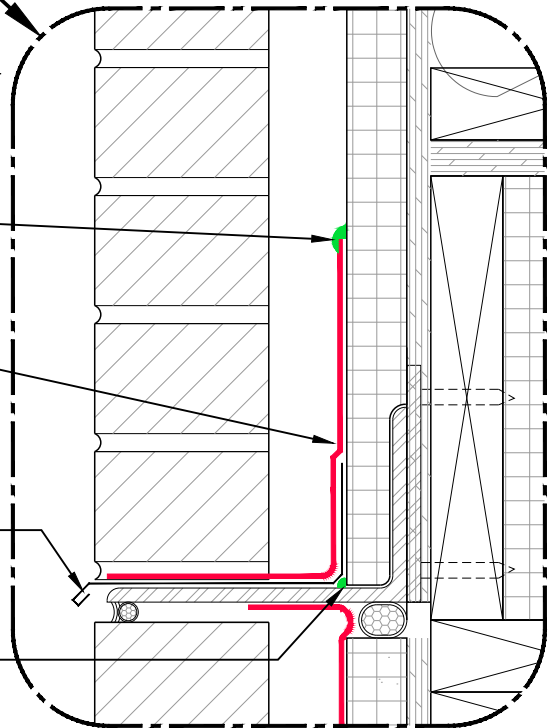


R-SEAL 2000 LF

R-SEAL 6000

Metal flashing
as specified

R-SEAL 2000 LF



These details are graphical representation, not necessarily to scale and various features may be exaggerated. These details are intended to supplement the ECOMAXci® Wall Solution Installation Instructions located at www.Rmax.com, which should be consulted for additional guidance and installation requirements. Where discrepancies occur, the installation instructions supersede these details.



Rmax

2075 Midway Road
Lewisville, TX 75056
Phone: (972)-850-3604
Email: Technical@Rmax.com

DRAWING NAME:

MASONRY CLADDING
Liquid Flashing
Wall at Shelf Angle

SCALE:
NOT TO SCALE

REV. DATE:
07-10-2023

SUBSTRATE GROUP:
FRT WOOD STUD

DRW. NO.:
EM-LF-02-M-14

As a manufacturer of construction materials, Rmax provides general details as a general guide for informational purposes only. These details are not intended to replace sound engineering and architectural practices and should not be relied upon for that purpose. Rmax assumes no liability with respect to the design of the system. The architect, consultant and/or engineer or design professional for a particular project bears the sole responsibility for the design of the system, for the preparation and approval of the project specifications, details and shop drawings, and for determining their suitability for a particular project or application. **Rmax makes no warranty of any kind, either expressed or implied, as to the content of this guide detail. Rmax shall not be responsible under any legal theory to any third party for any direct or consequential damages of any kind arising from the use of this guide detail. All products and services provided by Rmax are subject to its terms and conditions of sale available at www.Rmax.com.**

Air/Water Sealing: Use common construction practice as required to maintain air/water barrier at penetrations.

Brick veneer wall ties
(see Air/Water Sealing note)

Brick veneer

ECOMAXci® FR AIR BARRIER

FRT wood sheathing as required

Rmax
insulation

R-SEAL 2000 LF

R-SEAL 6000

Metal flashing
as specified

R-SEAL 2000 LF

These details are graphical representation, not necessarily to scale and various features may be exaggerated. These details are intended to supplement the ECOMAXci® Wall Solution Installation Instructions located at www.Rmax.com, which should be consulted for additional guidance and installation requirements. Where discrepancies occur, the installation instructions supersede these details.



Rmax

2075 Midway Road
Lewisville, TX 75056
Phone: (972)-850-3604
Email: Technical@Rmax.com

DRAWING NAME:

MASONRY CLADDING
Liquid Flashing
Wall at Foundation

SCALE:
NOT TO SCALE

REV. DATE:
07-10-2023

SUBSTRATE GROUP:
FRT WOOD STUD

DRW. NO.:
EM-LF-02-M-15


As a manufacturer of construction materials, Rmax provides general details as a general guide for informational purposes only. These details are not intended to replace sound engineering and architectural practices and should not be relied upon for that purpose. Rmax assumes no liability with respect to the design of the system. The architect, consultant and/or engineer or design professional for a particular project bears the sole responsibility for the design of the system, for the preparation and approval of the project specifications, details and shop drawings, and for determining their suitability for a particular project or application. **Rmax makes no warranty of any kind, either expressed or implied, as to the content of this guide detail. Rmax shall not be responsible under any legal theory to any third party for any direct or consequential damages of any kind arising from the use of this guide detail. All products and services provided by Rmax are subject to its terms and conditions of sale available at www.Rmax.com.**

ECOMAXci® WALL SOLUTION DETAILS

List of Details - Stucco Cladding, Fiber Cement Cladding and Metal Panel Cladding with Universal Flashing

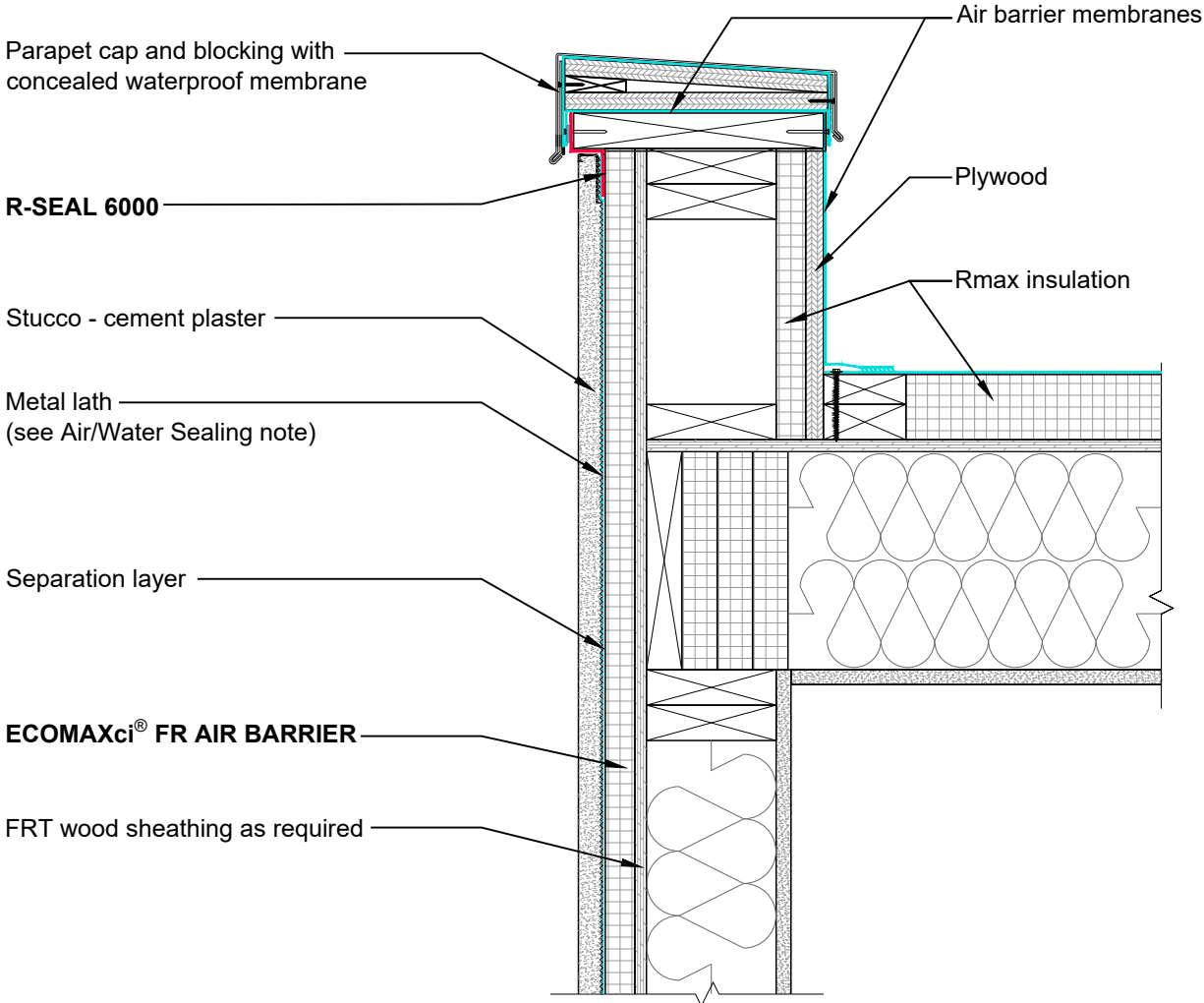
| STUCCO CLADDING - U | Drawing No. | METAL PANEL CLADDING - U | Drawing No. |
|---|--------------------|--|--------------------|
| Wall at Roof Parapet, Generic | EM-U-02-ST-11 | MCM Panel, Attachment Details at Vertical Z-Furring | EM-U-02-MP-11 |
| Wall at Floor Line Deflection Joint, Generic | EM-U-02-ST-14 | MCM Panel, Attachment Details at Horizontal Hat-Channels | EM-U-02-MP-12 |
| Wall at Foundation, Generic | EM-U-02-ST-15 | MCM Panel, Attachment Details at Vertical Z-Furring and Horizontal Hat-Channels | EM-U-02-MP-13 |
| Wall at Roof Parapet with Drainage Mat | EM-U-02-ST-16 | Formed Style Metal Panel (Horizontal), Attachment Details at Vertical Z-Furring | EM-U-02-MP-21 |
| Wall at Floor Line Deflection Joint with Drainage Mat | EM-U-02-ST-18 | Formed Style Metal Panel (Vertical), Attachment Details at Horizontal Hat-Channels | EM-U-02-MP-22 |
| Wall at Foundation with Drainage Mat | EM-U-02-ST-19 | Formed Style Metal Panel (Vertical), Attachment Details at Vertical Z-Furring and Horizontal Hat-Channels | EM-U-02-MP-23 |
| FIBER CEMENT CLADDING - U | Drawing No. | Profile Style Metal Panel (Horizontal), Attachment Details at Vertical Z-Furring | EM-U-02-MP-26 |
| Wall at Roof Parapet | EM-U-02-FC-11 | Profile Style Metal Panel (Vertical), Attachment Details at Horizontal Hat-Channels | EM-U-02-MP-27 |
| Wall at Foundation | EM-U-02-FC-15 | Profile Style Metal Panel (Vertical), Attachment Details at Vertical Z-Furring and Horizontal Hat Channels | EM-U-02-MP-28 |
| Attachment Details at Furring | EM-U-02-FC-16 | | |

These details are graphical representation, not necessarily to scale and various features may be exaggerated. These details are intended to supplement the ECOMAXci® Wall Solution Installation Instructions located at www.Rmax.com, which should be consulted for additional guidance and installation requirements. Where discrepancies occur, the installation instructions supersede these details.


| | | | |
|---|--|---------------------------------|--|
|  <p>Rmax 2075 Midway Road Lewisville, TX 75056 Phone: (972)-850-3604 Email: Technical@Rmax.com</p> | DRAWING NAME: GENERAL INFORMATION Universal Flashing List of Details - Stucco, Fiber Cement and Metal Panels Systems | | |
| | SCALE: NOT APPLICABLE | REV. DATE: 07-10-2023 | SUBSTRATE GROUP: FRT WOOD STUD |

As a manufacturer of construction materials, Rmax provides general details as a general guide for informational purposes only. These details are not intended to replace sound engineering and architectural practices and should not be relied upon for that purpose. Rmax assumes no liability with respect to the design of the system. The architect, consultant and/or engineer or design professional for a particular project bears the sole responsibility for the design of the system, for the preparation and approval of the project specifications, details and shop drawings, and for determining their suitability for a particular project or application. **Rmax makes no warranty of any kind, either expressed or implied, as to the content of this guide detail. Rmax shall not be responsible under any legal theory to any third party for any direct or consequential damages of any kind arising from the use of this guide detail. All products and services provided by Rmax are subject to its terms and conditions of sale available at www.Rmax.com.**

Air/Water Sealing: Use common construction practice as required to maintain air/water barrier at penetrations.



These details are graphical representation, not necessarily to scale and various features may be exaggerated. These details are intended to supplement the ECOMAXci® Wall Solution Installation Instructions located at www.Rmax.com, which should be consulted for additional guidance and installation requirements. Where discrepancies occur, the installation instructions supersede these details.

| | | | | |
|---|---------------|---------------|--|-----------|
|  <p>Rmax 2075 Midway Road Lewisville, TX 75056 Phone: (972)-850-3604 Email: Technical@Rmax.com</p> | DRAWING NAME: | | STUCCO CLADDING Universal Flashing Wall at Roof Parapet, Generic | |
| | SCALE: | REV. DATE: | SUBSTRATE GROUP: | DRW. NO.: |
| NOT TO SCALE | 07-10-2023 | FRT WOOD STUD | EM-U-02-ST-11 | |

As a manufacturer of construction materials, Rmax provides general details as a general guide for informational purposes only. These details are not intended to replace sound engineering and architectural practices and should not be relied upon for that purpose. Rmax assumes no liability with respect to the design of the system. The architect, consultant and/or engineer or design professional for a particular project bears the sole responsibility for the design of the system, for the preparation and approval of the project specifications, details and shop drawings, and for determining their suitability for a particular project or application. **Rmax makes no warranty of any kind, either expressed or implied, as to the content of this guide detail. Rmax shall not be responsible under any legal theory to any third party for any direct or consequential damages of any kind arising from the use of this guide detail.** All products and services provided by Rmax are subject to its terms and conditions of sale available at www.Rmax.com.

Air/Water Sealing: Use common construction practice as required to maintain air/water barrier at penetrations.

ECOMAXci® FR AIR BARRIER

FRT wood sheathing as required

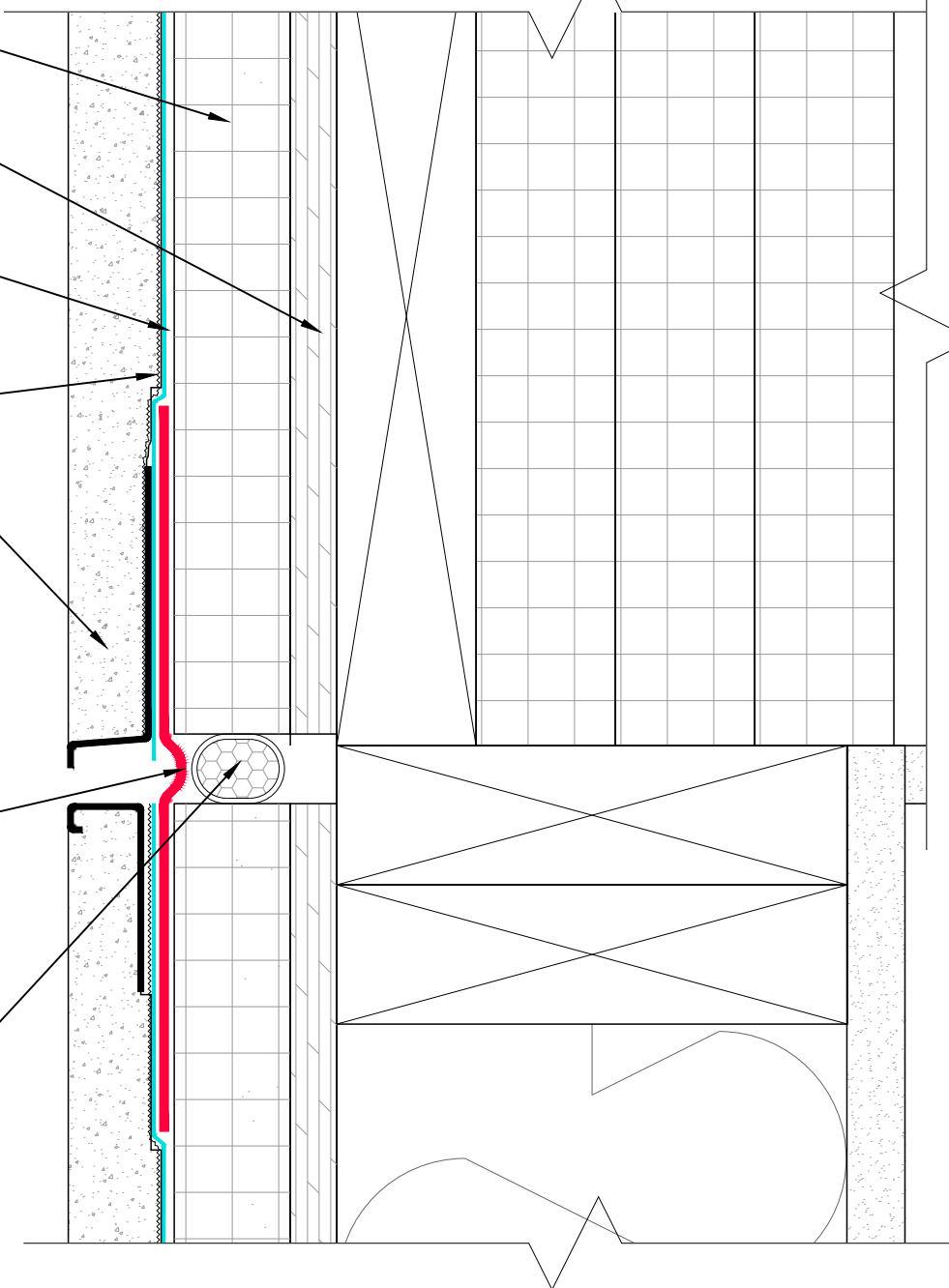
Separation layer

Metal lath
(see Air/Water Sealing note)

Stucco - cement plaster

R-SEAL 6000
Looped at joint to allow for movement as required.

Foam backer rod



These details are graphical representation, not necessarily to scale and various features may be exaggerated. These details are intended to supplement the ECOMAXci® Wall Solution Installation Instructions located at www.Rmax.com, which should be consulted for additional guidance and installation requirements. Where discrepancies occur, the installation instructions supersede these details.



Rmax
2075 Midway Road
Lewisville, TX 75056
Phone: (972)-850-3604
Email: Technical@Rmax.com

DRAWING NAME: **STUCCO CLADDING
Universal Flashing
Wall at Floor Line Deflection Joint, Generic**

| | | | |
|-------------------------------|---------------------------------|--|-----------------------------------|
| SCALE: NOT TO SCALE | REV. DATE: 07-10-2023 | SUBSTRATE GROUP: FRT WOOD STUD | DRW. NO.: EM-U-02-ST-14 |
|-------------------------------|---------------------------------|--|-----------------------------------|

As a manufacturer of construction materials, Rmax provides general details as a general guide for informational purposes only. These details are not intended to replace sound engineering and architectural practices and should not be relied upon for that purpose. Rmax assumes no liability with respect to the design of the system. The architect, consultant and/or engineer or design professional for a particular project bears the sole responsibility for the design of the system, for the preparation and approval of the project specifications, details and shop drawings, and for determining their suitability for a particular project or application. **Rmax makes no warranty of any kind, either expressed or implied, as to the content of this guide detail. Rmax shall not be responsible under any legal theory to any third party for any direct or consequential damages of any kind arising from the use of this guide detail. All products and services provided by Rmax are subject to its terms and conditions of sale available at www.Rmax.com.**

Air/Water Sealing: Use common construction practice as required to maintain air/water barrier at penetrations.

ECOMAXci® FR AIR BARRIER

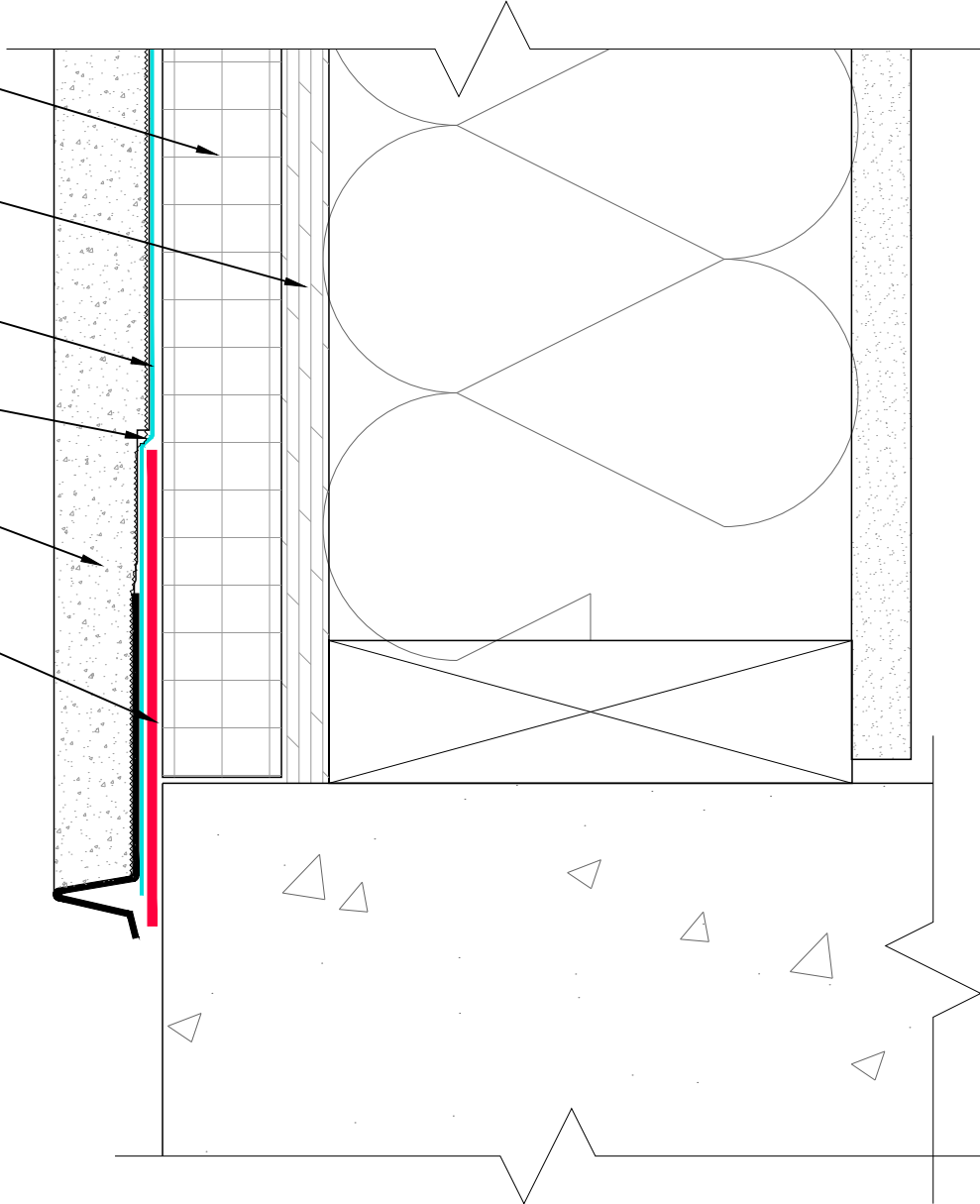
FRT wood sheathing as required

Separation layer

Metal lath
(see Air/Water Sealing note)

Stucco - cement plaster

R-SEAL 6000



These details are graphical representation, not necessarily to scale and various features may be exaggerated. These details are intended to supplement the ECOMAXci® Wall Solution Installation Instructions located at www.Rmax.com, which should be consulted for additional guidance and installation requirements. Where discrepancies occur, the installation instructions supersede these details.



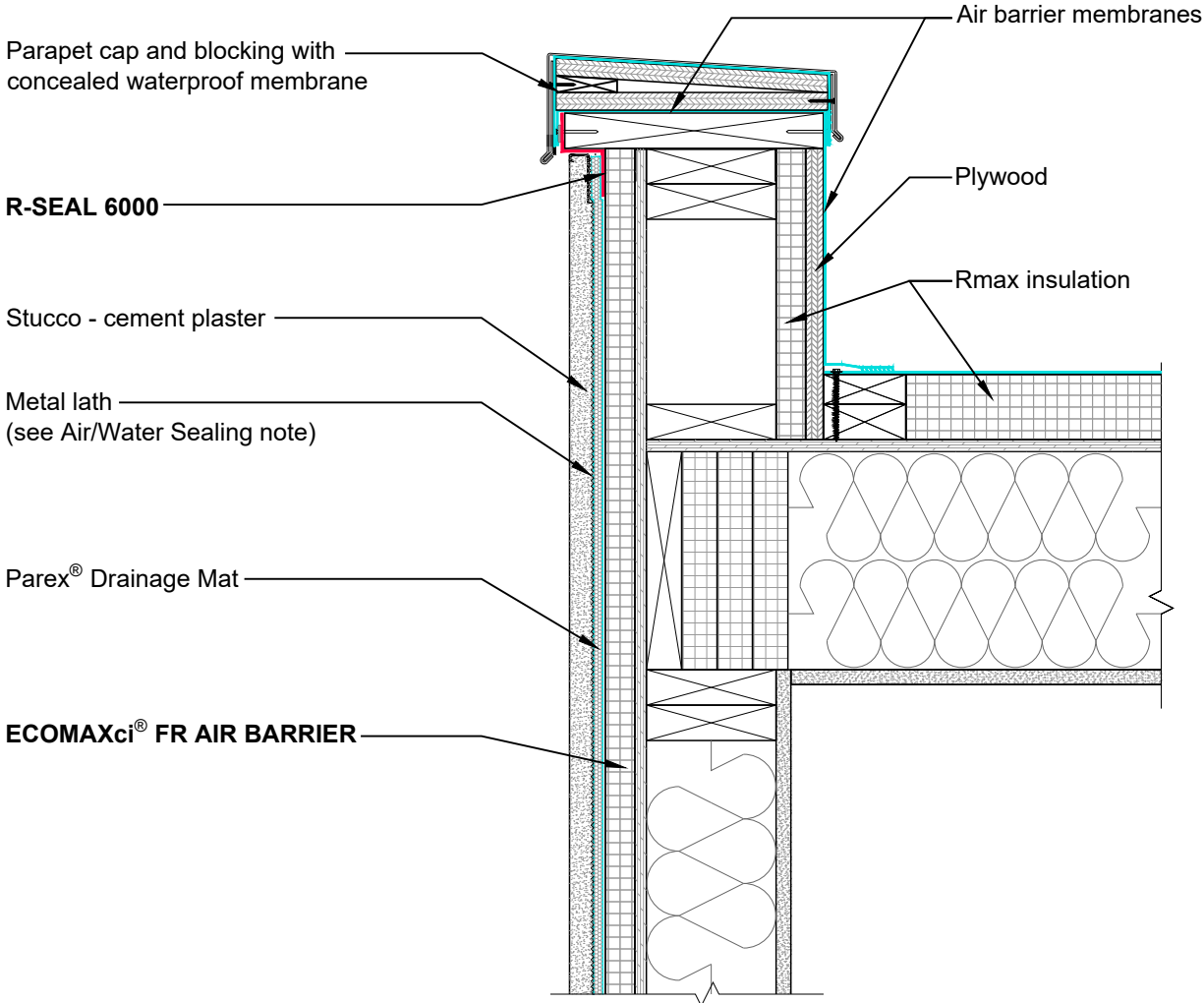
Rmax
 2075 Midway Road
 Lewisville, TX 75056
 Phone: (972)-850-3604
 Email: Technical@Rmax.com

DRAWING NAME: **STUCCO CLADDING
 Universal Flashing
 Wall at Foundation, Generic**

| | | | |
|-------------------------------|---------------------------------|--|-----------------------------------|
| SCALE: NOT TO SCALE | REV. DATE: 07-10-2023 | SUBSTRATE GROUP: FRT WOOD STUD | DRW. NO.: EM-U-02-ST-15 |
|-------------------------------|---------------------------------|--|-----------------------------------|

As a manufacturer of construction materials, Rmax provides general details as a general guide for informational purposes only. These details are not intended to replace sound engineering and architectural practices and should not be relied upon for that purpose. Rmax assumes no liability with respect to the design of the system. The architect, consultant and/or engineer or design professional for a particular project bears the sole responsibility for the design of the system, for the preparation and approval of the project specifications, details and shop drawings, and for determining their suitability for a particular project or application. **Rmax makes no warranty of any kind, either expressed or implied, as to the content of this guide detail. Rmax shall not be responsible under any legal theory to any third party for any direct or consequential damages of any kind arising from the use of this guide detail. All products and services provided by Rmax are subject to its terms and conditions of sale available at www.Rmax.com.**

Air/Water Sealing: Use common construction practice as required to maintain air/water barrier at penetrations.



These details are graphical representation, not necessarily to scale and various features may be exaggerated. These details are intended to supplement the ECOMAXci® Wall Solution Installation Instructions located at www.Rmax.com, which should be consulted for additional guidance and installation requirements. Where discrepancies occur, the installation instructions supersede these details.



Rmax
 2075 Midway Road
 Lewisville, TX 75056
 Phone: (972)-850-3604
 Email: Technical@Rmax.com

| | | | |
|---------------|------------|---|---------------|
| DRAWING NAME: | | STUCCO CLADDING Universal Flashing Wall at Roof Parapet with Drainage Mat | |
| SCALE: | REV. DATE: | SUBSTRATE GROUP: | DRW. NO.: |
| NOT TO SCALE | 07-10-2023 | FRT WOOD STUD | EM-U-02-ST-16 |

As a manufacturer of construction materials, Rmax provides general details as a general guide for informational purposes only. These details are not intended to replace sound engineering and architectural practices and should not be relied upon for that purpose. Rmax assumes no liability with respect to the design of the system. The architect, consultant and/or engineer or design professional for a particular project bears the sole responsibility for the design of the system, for the preparation and approval of the project specifications, details and shop drawings, and for determining their suitability for a particular project or application. **Rmax makes no warranty of any kind, either expressed or implied, as to the content of this guide detail. Rmax shall not be responsible under any legal theory to any third party for any direct or consequential damages of any kind arising from the use of this guide detail. All products and services provided by Rmax are subject to its terms and conditions of sale available at www.Rmax.com.**

Air/Water Sealing: Use common construction practice as required to maintain air/water barrier at penetrations.

ECOMAXci® FR AIR BARRIER

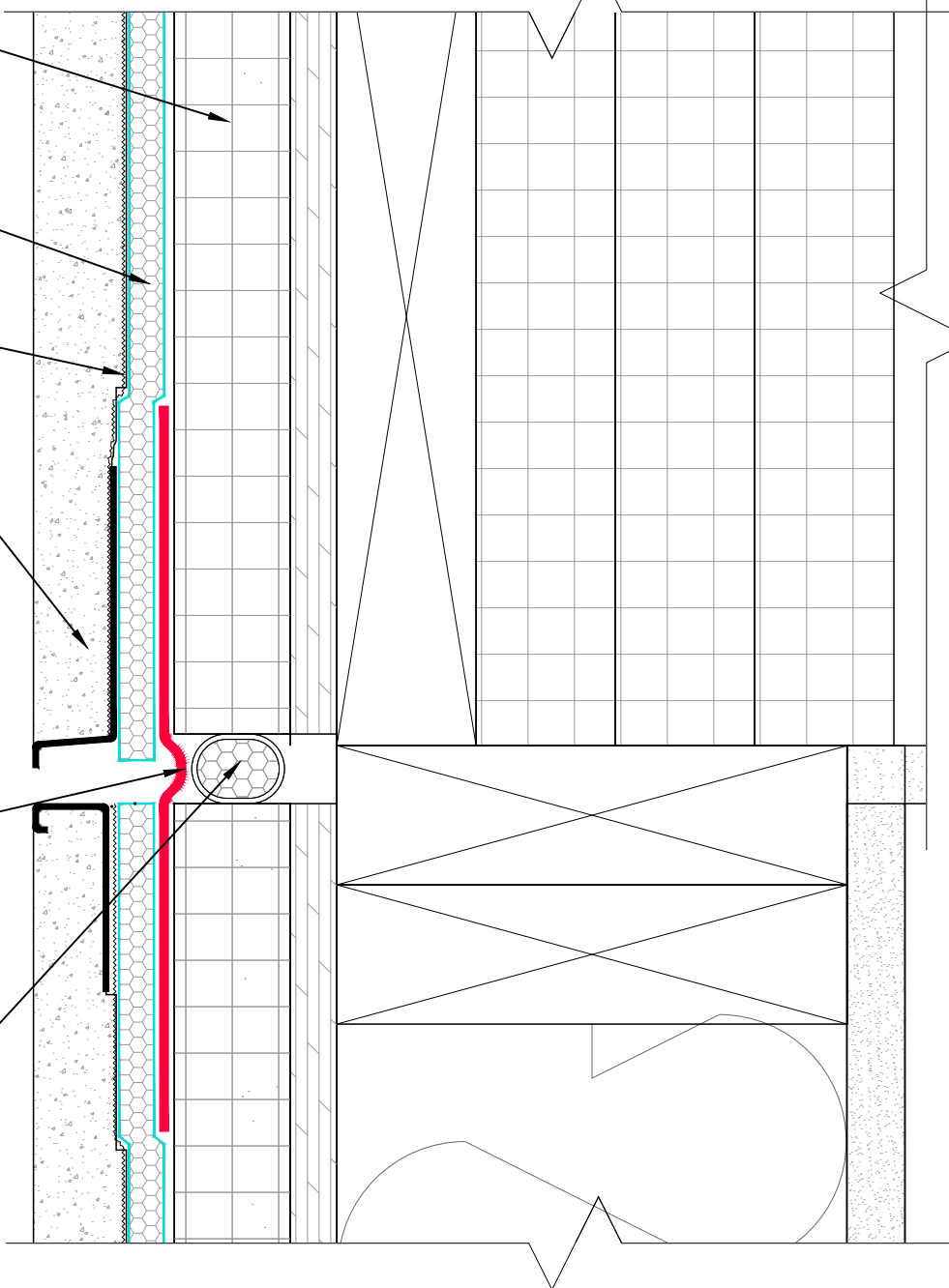
Parex® Drainage Mat

Metal lath
(see Air/Water Sealing note)

Stucco - cement plaster

R-SEAL 6000
Looped at joint to allow for movement as required.

Foam backer rod



These details are graphical representation, not necessarily to scale and various features may be exaggerated. These details are intended to supplement the ECOMAXci® Wall Solution Installation Instructions located at www.Rmax.com, which should be consulted for additional guidance and installation requirements. Where discrepancies occur, the installation instructions supersede these details.



Rmax
2075 Midway Road
Lewisville, TX 75056
Phone: (972)-850-3604
Email: Technical@Rmax.com

| | | | |
|---------------|------------|--|---------------|
| DRAWING NAME: | | STUCCO CLADDING Universal Flashing Wall at Floor Line Deflection Joint with Drainage Mat | |
| SCALE: | REV. DATE: | SUBSTRATE GROUP: | DRW. NO.: |
| NOT TO SCALE | 07-10-2023 | FRT WOOD STUD | EM-U-02-ST-18 |

As a manufacturer of construction materials, Rmax provides general details as a general guide for informational purposes only. These details are not intended to replace sound engineering and architectural practices and should not be relied upon for that purpose. Rmax assumes no liability with respect to the design of the system. The architect, consultant and/or engineer or design professional for a particular project bears the sole responsibility for the design of the system, for the preparation and approval of the project specifications, details and shop drawings, and for determining their suitability for a particular project or application. Rmax makes no warranty of any kind, either expressed or implied, as to the content of this guide detail. Rmax shall not be responsible under any legal theory to any third party for any direct or consequential damages of any kind arising from the use of this guide detail. All products and services provided by Rmax are subject to its terms and conditions of sale available at www.Rmax.com.

Air/Water Sealing: Use common construction practice as required to maintain air/water barrier at penetrations.

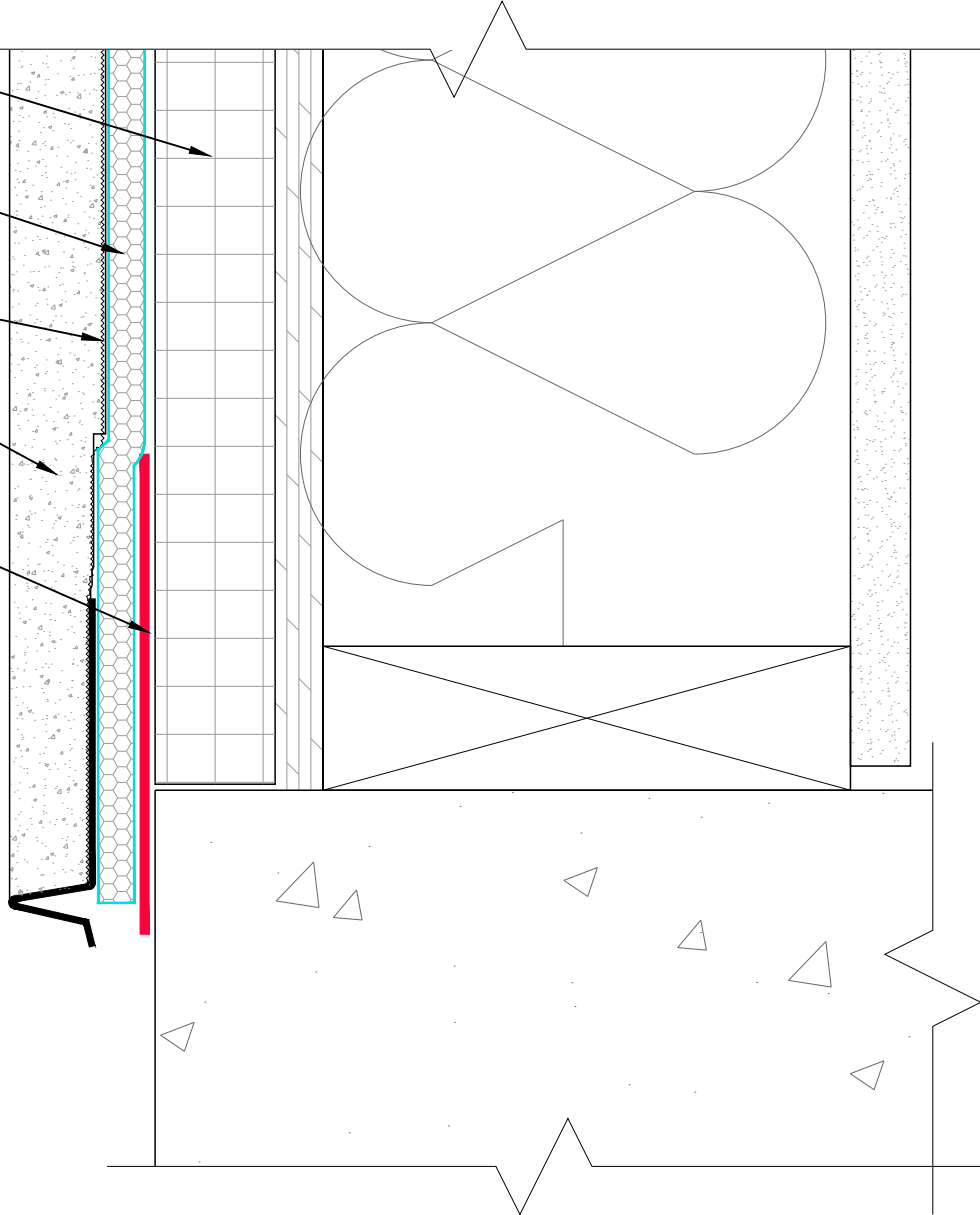
ECOMAXci® FR AIR BARRIER

Parex® Drainage Mat

Metal lath
(see Air/Water Sealing note)

Stucco - cement plaster

R-SEAL 6000



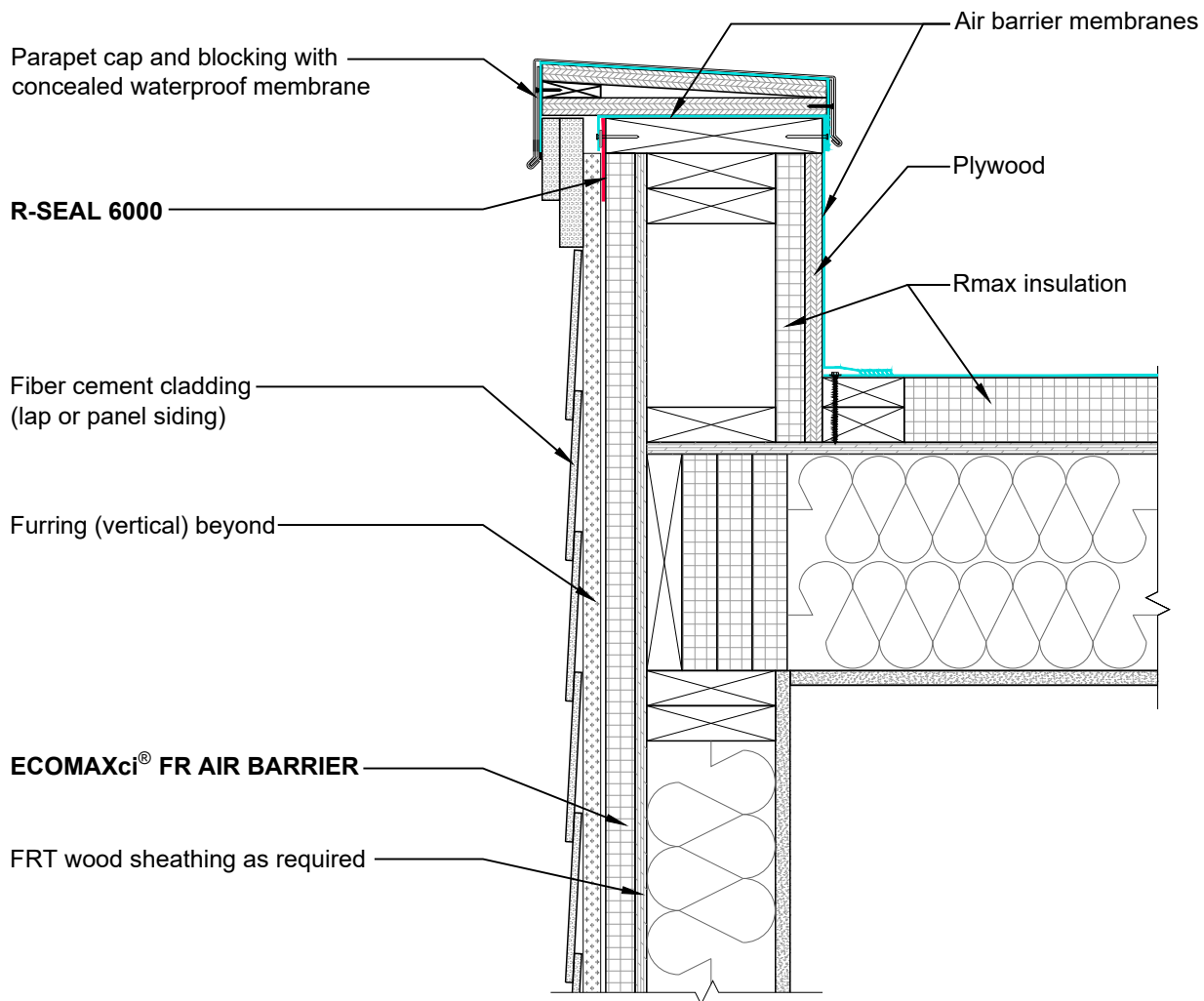
These details are graphical representation, not necessarily to scale and various features may be exaggerated. These details are intended to supplement the ECOMAXci® Wall Solution Installation Instructions located at www.Rmax.com, which should be consulted for additional guidance and installation requirements. Where discrepancies occur, the installation instructions supersede these details.



Rmax
 2075 Midway Road
 Lewisville, TX 75056
 Phone: (972)-850-3604
 Email: Technical@Rmax.com

| | | | |
|---------------|------------|--------------------------------------|---------------|
| DRAWING NAME: | | STUCCO CLADDING | |
| | | Universal Flashing | |
| | | Wall at Foundation with Drainage Mat | |
| SCALE: | REV. DATE: | SUBSTRATE GROUP: | DRW. NO.: |
| NOT TO SCALE | 07-10-2023 | FRT WOOD STUD | EM-U-02-ST-19 |

As a manufacturer of construction materials, Rmax provides general details as a general guide for informational purposes only. These details are not intended to replace sound engineering and architectural practices and should not be relied upon for that purpose. Rmax assumes no liability with respect to the design of the system. The architect, consultant and/or engineer or design professional for a particular project bears the sole responsibility for the design of the system, for the preparation and approval of the project specifications, details and shop drawings, and for determining their suitability for a particular project or application. **Rmax makes no warranty of any kind, either expressed or implied, as to the content of this guide detail. Rmax shall not be responsible under any legal theory to any third party for any direct or consequential damages of any kind arising from the use of this guide detail. All products and services provided by Rmax are subject to its terms and conditions of sale available at www.Rmax.com.**



These details are graphical representation, not necessarily to scale and various features may be exaggerated. These details are intended to supplement the ECOMAXci® Wall Solution Installation Instructions located at www.Rmax.com, which should be consulted for additional guidance and installation requirements. Where discrepancies occur, the installation instructions supersede these details.



Rmax

2075 Midway Road
 Lewisville, TX 75056
 Phone: (972)-850-3604
 Email: Technical@Rmax.com

DRAWING NAME:

FIBER CEMENT CLADDING
 Universal Flashing
 Wall at Roof Parapet

SCALE:
 NOT TO SCALE

REV. DATE:
 07-10-2023

SUBSTRATE GROUP:
 FRT WOOD STUD

DRW. NO.:
 EM-U-02-FC-11

As a manufacturer of construction materials, Rmax provides general details as a general guide for informational purposes only. These details are not intended to replace sound engineering and architectural practices and should not be relied upon for that purpose. Rmax assumes no liability with respect to the design of the system. The architect, consultant and/or engineer or design professional for a particular project bears the sole responsibility for the design of the system, for the preparation and approval of the project specifications, details and shop drawings, and for determining their suitability for a particular project or application. **Rmax makes no warranty of any kind, either expressed or implied, as to the content of this guide detail. Rmax shall not be responsible under any legal theory to any third party for any direct or consequential damages of any kind arising from the use of this guide detail.** All products and services provided by Rmax are subject to its terms and conditions of sale available at www.Rmax.com.

ECOMAXci® FR AIR BARRIER

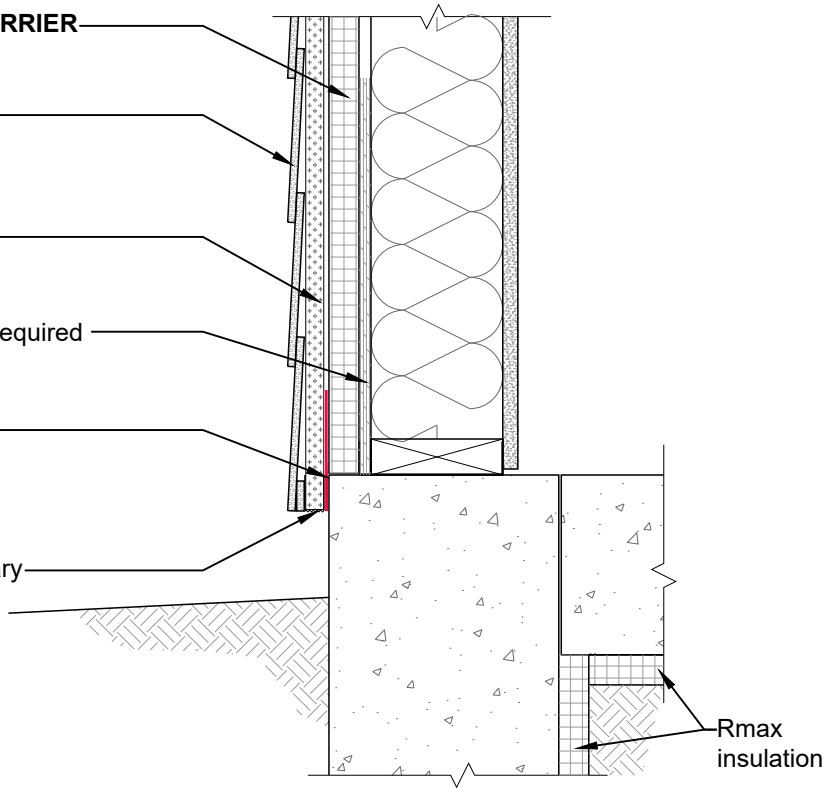
Fiber cement cladding
(lap or panel siding)

Furring (vertical) beyond

FRT wood sheathing as required

R-SEAL 6000

Insect screen as necessary



These details are graphical representation, not necessarily to scale and various features may be exaggerated. These details are intended to supplement the ECOMAXci® Wall Solution Installation Instructions located at www.Rmax.com, which should be consulted for additional guidance and installation requirements. Where discrepancies occur, the installation instructions supersede these details.



Rmax

2075 Midway Road
Lewisville, TX 75056
Phone: (972)-850-3604
Email: Technical@Rmax.com

DRAWING NAME:

FIBER CEMENT CLADDING
Universal Flashing
Wall at Foundation

SCALE:
NOT TO SCALE

REV. DATE:
07-10-2023

SUBSTRATE GROUP:
FRT WOOD STUD

DRW. NO.:
EM-U-02-FC-15

As a manufacturer of construction materials, Rmax provides general details as a general guide for informational purposes only. These details are not intended to replace sound engineering and architectural practices and should not be relied upon for that purpose. Rmax assumes no liability with respect to the design of the system. The architect, consultant and/or engineer or design professional for a particular project bears the sole responsibility for the design of the system, for the preparation and approval of the project specifications, details and shop drawings, and for determining their suitability for a particular project or application. Rmax makes no warranty of any kind, either expressed or implied, as to the content of this guide detail. Rmax shall not be responsible under any legal theory to any third party for any direct or consequential damages of any kind arising from the use of this guide detail. All products and services provided by Rmax are subject to its terms and conditions of sale available at www.Rmax.com.

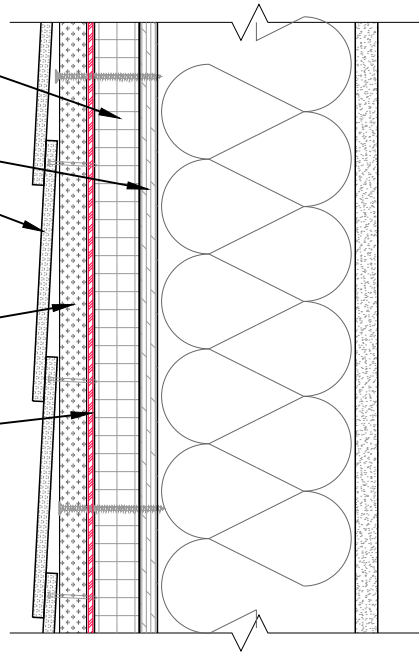
ECOMAXci® FR AIR BARRIER

FRT wood sheathing as required

Fiber cement cladding
(lap or panel siding)

Furring (vertical) beyond

R-SEAL 6000 beyond
(or other common construction
practice as required to maintain
air/water barrier)



VERTICAL WALL SECTION

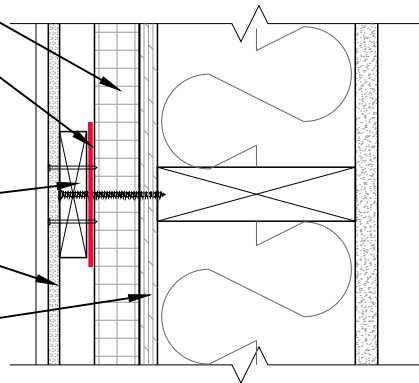
ECOMAXci® FR AIR BARRIER

R-SEAL 6000
(or other common construction
practice as required to maintain
air/water barrier)

Furring (vertical)

Fiber cement cladding
(lap or panel siding)

FRT wood sheathing as required



HORIZONTAL PLAN SECTION

These details are graphical representation, not necessarily to scale and various features may be exaggerated. These details are intended to supplement the ECOMAXci® Wall Solution Installation Instructions located at www.Rmax.com, which should be consulted for additional guidance and installation requirements. Where discrepancies occur, the installation instructions supersede these details.



Rmax

2075 Midway Road
Lewisville, TX 75056
Phone: (972)-850-3604
Email: Technical@Rmax.com

DRAWING NAME:

FIBER-CEMENT CLADDING
Universal Flashing
Attachment Details at Furring

SCALE:

NOT TO SCALE

REV. DATE:

07-10-2023

SUBSTRATE GROUP:

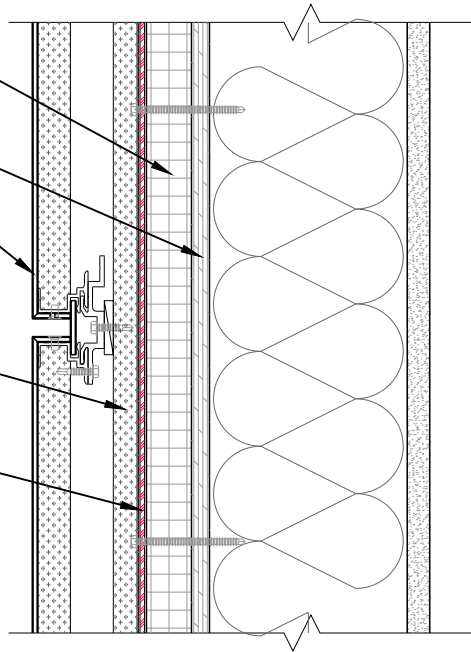
FRT WOOD STUD

DRW. NO.:

EM-U-02-FC-16

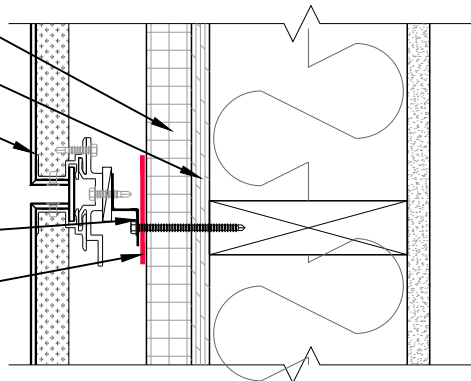
As a manufacturer of construction materials, Rmax provides general details as a general guide for informational purposes only. These details are not intended to replace sound engineering and architectural practices and should not be relied upon for that purpose. Rmax assumes no liability with respect to the design of the system. The architect, consultant and/or engineer or design professional for a particular project bears the sole responsibility for the design of the system, for the preparation and approval of the project specifications, details and shop drawings, and for determining their suitability for a particular project or application. Rmax makes no warranty of any kind, either expressed or implied, as to the content of this guide detail. Rmax shall not be responsible under any legal theory to any third party for any direct or consequential damages of any kind arising from the use of this guide detail. All products and services provided by Rmax are subject to its terms and conditions of sale available at www.Rmax.com.

- ECOMAXci® FR AIR BARRIER
- FRT wood sheathing as required
- MCM panels and mounting system
- Z-furring (vertical) beyond
- R-SEAL 6000 beyond
(or other common construction practice as required to maintain air/water barrier)



VERTICAL WALL SECTION

- ECOMAXci® FR AIR BARRIER
- FRT wood sheathing as required
- MCM panels and mounting system
- Z-furring (vertical)
- R-SEAL 6000
(or other common construction practice as required to maintain air/water barrier)



HORIZONTAL PLAN SECTION

These details are graphical representation, not necessarily to scale and various features may be exaggerated. These details are intended to supplement the ECOMAXci® Wall Solution Installation Instructions located at www.Rmax.com, which should be consulted for additional guidance and installation requirements. Where discrepancies occur, the installation instructions supersede these details.



Rmax

2075 Midway Road
Lewisville, TX 75056
Phone: (972)-850-3604
Email: Technical@Rmax.com

DRAWING NAME:

METAL PANEL CLADDING - MCM Panel
Universal Flashing
Attachment Details at Vertical Z-Furring

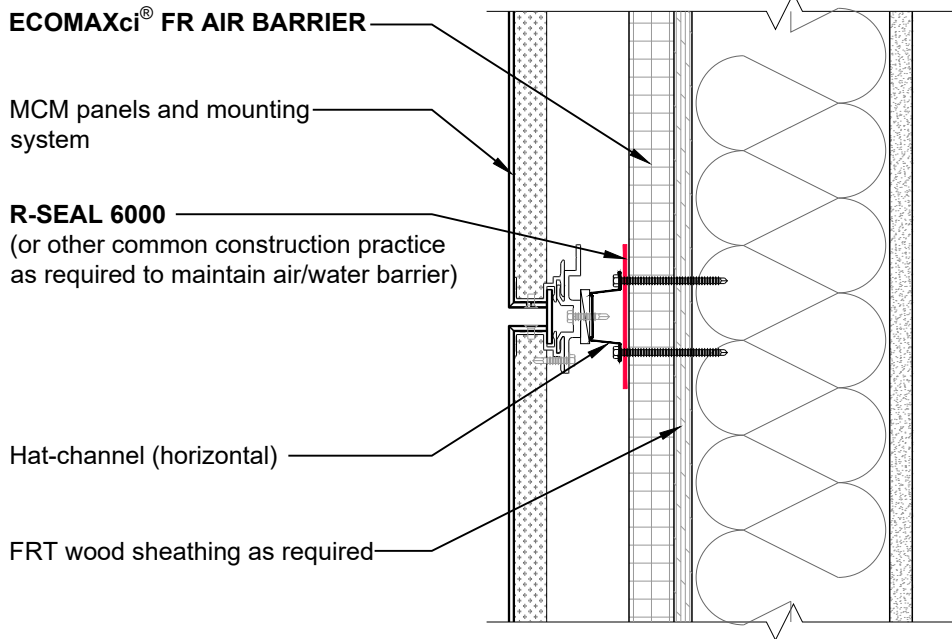
SCALE:
NOT TO SCALE

REV. DATE:
07-10-2023

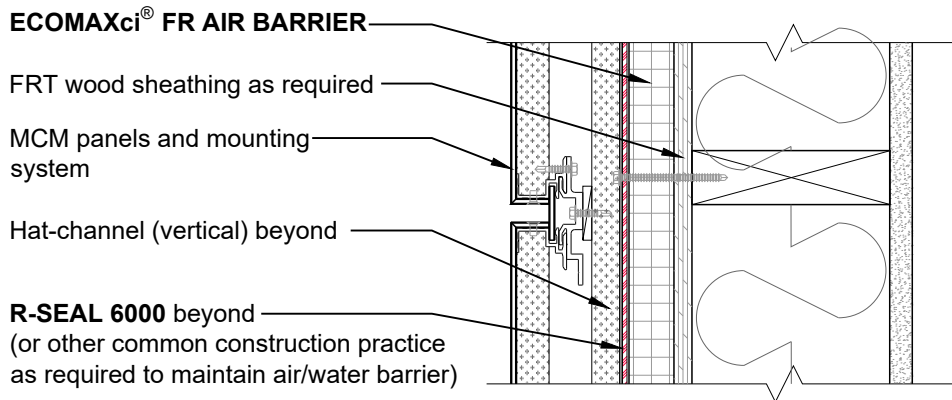
SUBSTRATE GROUP:
FRT WOOD STUD

DRW. NO.:
EM-U-02-MP-11

As a manufacturer of construction materials, Rmax provides general details as a general guide for informational purposes only. These details are not intended to replace sound engineering and architectural practices and should not be relied upon for that purpose. Rmax assumes no liability with respect to the design of the system. The architect, consultant and/or engineer or design professional for a particular project bears the sole responsibility for the design of the system, for the preparation and approval of the project specifications, details and shop drawings, and for determining their suitability for a particular project or application. Rmax makes no warranty of any kind, either expressed or implied, as to the content of this guide detail. Rmax shall not be responsible under any legal theory to any third party for any direct or consequential damages of any kind arising from the use of this guide detail. All products and services provided by Rmax are subject to its terms and conditions of sale available at www.Rmax.com.



VERTICAL WALL SECTION



HORIZONTAL PLAN SECTION

These details are graphical representation, not necessarily to scale and various features may be exaggerated. These details are intended to supplement the ECOMAXci® Wall Solution Installation Instructions located at www.Rmax.com, which should be consulted for additional guidance and installation requirements. Where discrepancies occur, the installation instructions supersede these details.



Rmax

2075 Midway Road
Lewisville, TX 75056
Phone: (972)-850-3604
Email: Technical@Rmax.com

DRAWING NAME:

METAL PANEL CLADDING - MCM Panel
Universal Flashing
Attachment Details at Horizontal Hat-Channels

SCALE:
NOT TO SCALE

REV. DATE:
07-10-2023

SUBSTRATE GROUP:
FRT WOOD STUD

DRW. NO.:
EM-U-02-MP-12

As a manufacturer of construction materials, Rmax provides general details as a general guide for informational purposes only. These details are not intended to replace sound engineering and architectural practices and should not be relied upon for that purpose. Rmax assumes no liability with respect to the design of the system. The architect, consultant and/or engineer or design professional for a particular project bears the sole responsibility for the design of the system, for the preparation and approval of the project specifications, details and shop drawings, and for determining their suitability for a particular project or application. Rmax makes no warranty of any kind, either expressed or implied, as to the content of this guide detail. Rmax shall not be responsible under any legal theory to any third party for any direct or consequential damages of any kind arising from the use of this guide detail. All products and services provided by Rmax are subject to its terms and conditions of sale available at www.Rmax.com.

ECOMAXci® FR AIR BARRIER

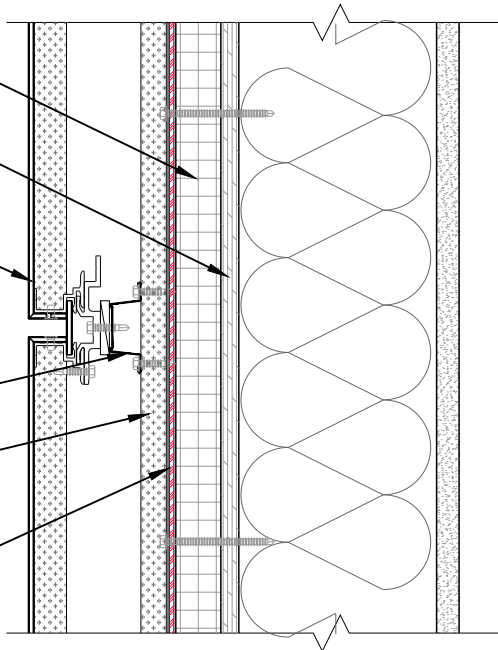
FRT wood sheathing as required

MCM panels and mounting system

Hat-channel (horizontal)

Z-furring (vertical) beyond

R-SEAL 6000 beyond
(or other common construction practice as required to maintain air/water barrier)



VERTICAL WALL SECTION

ECOMAXci® FR AIR BARRIER

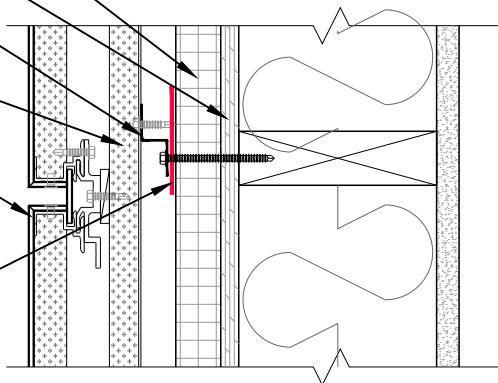
FRT wood sheathing as required

Z-furring (vertical)

Hat-channel (horizontal) beyond

MCM panels and mounting system

R-SEAL 6000
(or other common construction practice as required to maintain air/water barrier)



HORIZONTAL PLAN SECTION

These details are graphical representation, not necessarily to scale and various features may be exaggerated. These details are intended to supplement the ECOMAXci® Wall Solution Installation Instructions located at www.Rmax.com, which should be consulted for additional guidance and installation requirements. Where discrepancies occur, the installation instructions supersede these details.



Rmax

2075 Midway Road
Lewisville, TX 75056
Phone: (972)-850-3604
Email: Technical@Rmax.com

DRAWING NAME:

METAL PANEL CLADDING - MCM Panel
Universal Flashing
Attachment Details at Vertical Z-Furring and Horizontal Hat-Channels

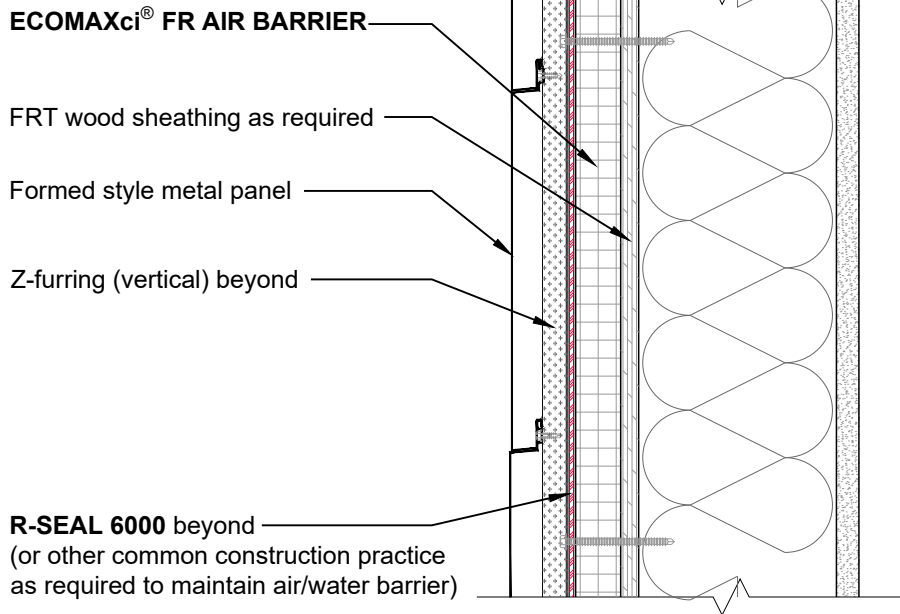
SCALE:
NOT TO SCALE

REV. DATE:
07-10-2023

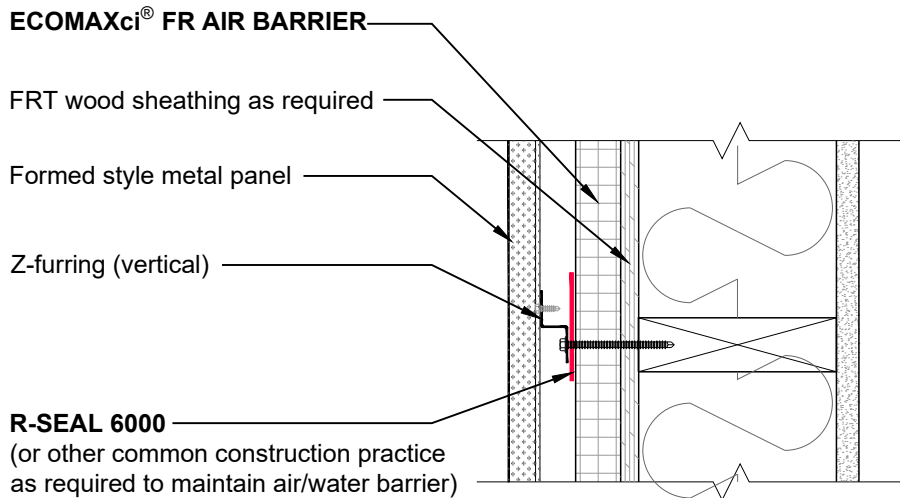
SUBSTRATE GROUP:
FRT WOOD STUD

DRW. NO.:
EM-U-02-MP-13

As a manufacturer of construction materials, Rmax provides general details as a general guide for informational purposes only. These details are not intended to replace sound engineering and architectural practices and should not be relied upon for that purpose. Rmax assumes no liability with respect to the design of the system. The architect, consultant and/or engineer or design professional for a particular project bears the sole responsibility for the design of the system, for the preparation and approval of the project specifications, details and shop drawings, and for determining their suitability for a particular project or application. **Rmax makes no warranty of any kind, either expressed or implied, as to the content of this guide detail. Rmax shall not be responsible under any legal theory to any third party for any direct or consequential damages of any kind arising from the use of this guide detail. All products and services provided by Rmax are subject to its terms and conditions of sale available at www.Rmax.com.**



VERTICAL WALL SECTION



HORIZONTAL PLAN SECTION

These details are graphical representation, not necessarily to scale and various features may be exaggerated. These details are intended to supplement the ECOMAXci® Wall Solution Installation Instructions located at www.Rmax.com, which should be consulted for additional guidance and installation requirements. Where discrepancies occur, the installation instructions supersede these details.



Rmax

2075 Midway Road
Lewisville, TX 75056
Phone: (972)-850-3604
Email: Technical@Rmax.com

DRAWING NAME:

METAL PANEL CLADDING - Formed Style Metal Panel (Horizontal)
Universal Flashing
Attachment Details at Vertical Z-Furring

SCALE:
NOT TO SCALE

REV. DATE:
07-10-2023

SUBSTRATE GROUP:
FRT WOOD STUD

DRW. NO.:
EM-U-02-MP-21

As a manufacturer of construction materials, Rmax provides general details as a general guide for informational purposes only. These details are not intended to replace sound engineering and architectural practices and should not be relied upon for that purpose. Rmax assumes no liability with respect to the design of the system. The architect, consultant and/or engineer or design professional for a particular project bears the sole responsibility for the design of the system, for the preparation and approval of the project specifications, details and shop drawings, and for determining their suitability for a particular project or application. **Rmax makes no warranty of any kind, either expressed or implied, as to the content of this guide detail. Rmax shall not be responsible under any legal theory to any third party for any direct or consequential damages of any kind arising from the use of this guide detail. All products and services provided by Rmax are subject to its terms and conditions of sale available at www.Rmax.com.**

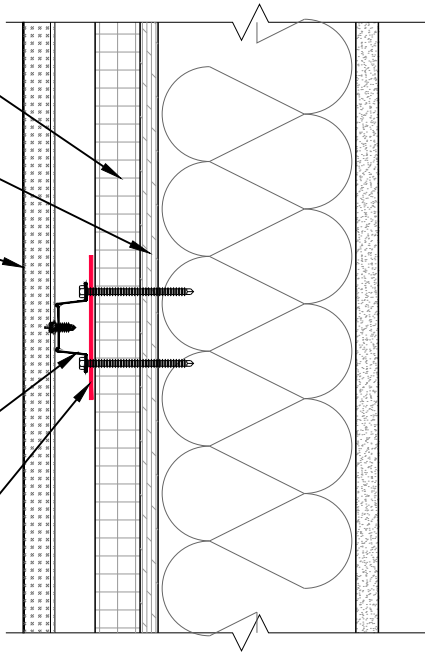
ECOMAXci® FR AIR BARRIER

FRT wood sheathing as required

Formed style metal panel

Hat-channel (horizontal)

R-SEAL 6000
(or other common construction practice as required to maintain air/water barrier)



VERTICAL WALL SECTION

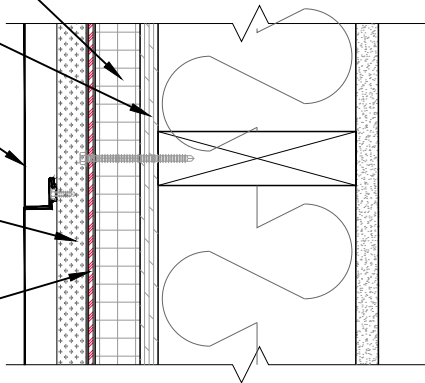
ECOMAXci® FR AIR BARRIER

FRT wood sheathing as required

Formed style metal panel

Hat-channel (horizontal) beyond

R-SEAL 6000 beyond
(or other common construction practice as required to maintain air/water barrier)



HORIZONTAL PLAN SECTION

These details are graphical representation, not necessarily to scale and various features may be exaggerated. These details are intended to supplement the ECOMAXci® Wall Solution Installation Instructions located at www.Rmax.com, which should be consulted for additional guidance and installation requirements. Where discrepancies occur, the installation instructions supersede these details.



Rmax
 2075 Midway Road
 Lewisville, TX 75056
 Phone: (972)-850-3604
 Email: Technical@Rmax.com

DRAWING NAME:
METAL PANEL CLADDING - Formed Style Metal Panel (Vertical)
Universal Flashing
Attachment Details at Horizontal Hat-Channels

SCALE:
NOT TO SCALE

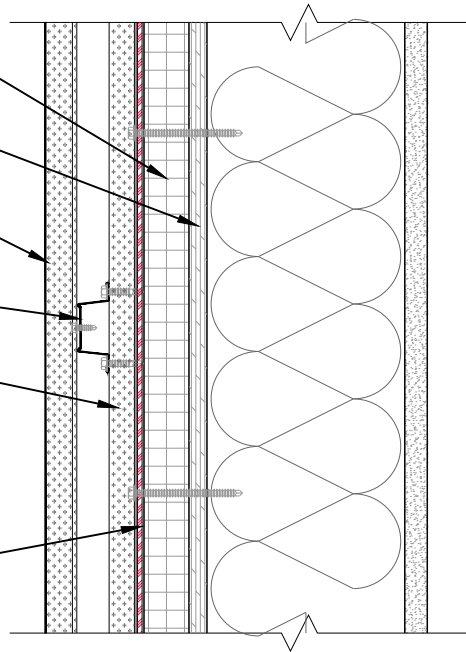
REV. DATE:
07-10-2023

SUBSTRATE GROUP:
FRT WOOD STUD

DRW. NO.:
EM-U-02-MP-22

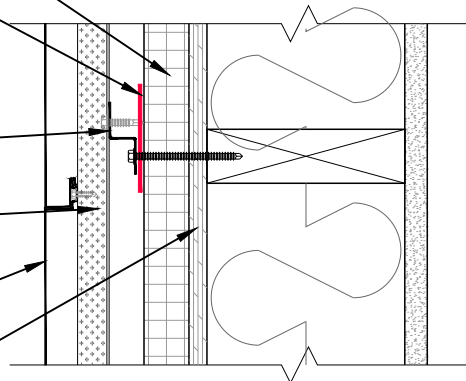
As a manufacturer of construction materials, Rmax provides general details as a general guide for informational purposes only. These details are not intended to replace sound engineering and architectural practices and should not be relied upon for that purpose. Rmax assumes no liability with respect to the design of the system. The architect, consultant and/or engineer or design professional for a particular project bears the sole responsibility for the design of the system, for the preparation and approval of the project specifications, details and shop drawings, and for determining their suitability for a particular project or application. **Rmax makes no warranty of any kind, either expressed or implied, as to the content of this guide detail. Rmax shall not be responsible under any legal theory to any third party for any direct or consequential damages of any kind arising from the use of this guide detail. All products and services provided by Rmax are subject to its terms and conditions of sale available at www.Rmax.com.**

ECOMAXci® FR AIR BARRIER
 FRT wood sheathing as required
 Formed style metal panel
 Hat-channel (horizontal)
 Z-furring (vertical) beyond
 R-SEAL 6000 beyond
 (or other common construction practice
 as required to maintain air/water barrier)



VERTICAL WALL SECTION

ECOMAXci® FR AIR BARRIER
 R-SEAL 6000
 (or other common construction practice
 as required to maintain air/water barrier)
 Z-furring (vertical)
 Hat-channel (horizontal) beyond
 Formed style metal panel
 FRT wood sheathing as required



HORIZONTAL PLAN SECTION

These details are graphical representation, not necessarily to scale and various features may be exaggerated. These details are intended to supplement the ECOMAXci® Wall Solution Installation Instructions located at www.Rmax.com, which should be consulted for additional guidance and installation requirements. Where discrepancies occur, the installation instructions supersede these details.



Rmax
 2075 Midway Road
 Lewisville, TX 75056
 Phone: (972)-850-3604
 Email: Technical@Rmax.com

DRAWING NAME:
METAL PANEL CLADDING - Formed Style Metal Panel (Vertical)
Universal Flashing
Attachment Details at Vertical Z-Furring and Horizontal Hat-Channels

SCALE:
NOT TO SCALE

REV. DATE:
07-10-2023

SUBSTRATE GROUP:
FRT WOOD STUD

DRW. NO.:
EM-U-02-MP-23

As a manufacturer of construction materials, Rmax provides general details as a general guide for informational purposes only. These details are not intended to replace sound engineering and architectural practices and should not be relied upon for that purpose. Rmax assumes no liability with respect to the design of the system. The architect, consultant and/or engineer or design professional for a particular project bears the sole responsibility for the design of the system, for the preparation and approval of the project specifications, details and shop drawings, and for determining their suitability for a particular project or application. **Rmax makes no warranty of any kind, either expressed or implied, as to the content of this guide detail. Rmax shall not be responsible under any legal theory to any third party for any direct or consequential damages of any kind arising from the use of this guide detail. All products and services provided by Rmax are subject to its terms and conditions of sale available at www.Rmax.com.**

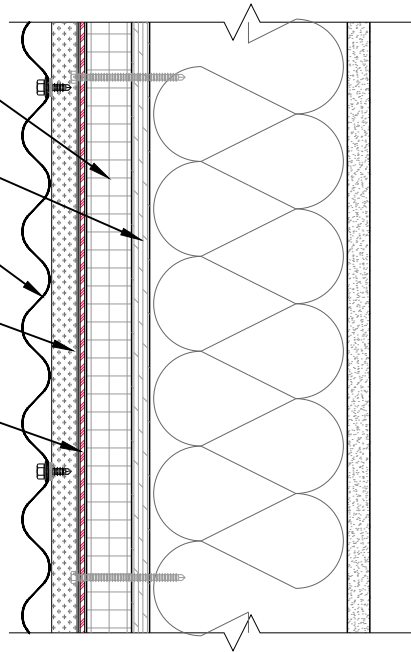
ECOMAXci® FR AIR BARRIER

FRT wood sheathing as required

Profile style metal panel

Z-furring (vertical) beyond

R-SEAL 6000 beyond
(or other common construction practice as required to maintain air/water barrier)



VERTICAL WALL SECTION

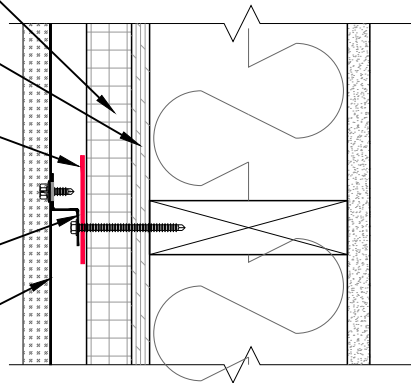
ECOMAXci® FR AIR BARRIER

FRT wood sheathing as required

R-SEAL 6000
(or other common construction practice as required to maintain air/water barrier)

Z-furring (vertical)

Profile style metal panel



HORIZONTAL PLAN SECTION

These details are graphical representation, not necessarily to scale and various features may be exaggerated. These details are intended to supplement the ECOMAXci® Wall Solution Installation Instructions located at www.Rmax.com, which should be consulted for additional guidance and installation requirements. Where discrepancies occur, the installation instructions supersede these details.



Rmax

2075 Midway Road
Lewisville, TX 75056
Phone: (972)-850-3604
Email: Technical@Rmax.com

DRAWING NAME:

METAL PANEL CLADDING - Profile Style Metal Panel (Horizontal)
Universal Flashing
Attachment Details at Vertical Z-Furring

SCALE:
NOT TO SCALE

REV. DATE:
07-10-2023

SUBSTRATE GROUP:
FRT WOOD STUD

DRW. NO.:
EM-U-02-MP-26

As a manufacturer of construction materials, Rmax provides general details as a general guide for informational purposes only. These details are not intended to replace sound engineering and architectural practices and should not be relied upon for that purpose. Rmax assumes no liability with respect to the design of the system. The architect, consultant and/or engineer or design professional for a particular project bears the sole responsibility for the design of the system, for the preparation and approval of the project specifications, details and shop drawings, and for determining their suitability for a particular project or application. **Rmax makes no warranty of any kind, either expressed or implied, as to the content of this guide detail. Rmax shall not be responsible under any legal theory to any third party for any direct or consequential damages of any kind arising from the use of this guide detail. All products and services provided by Rmax are subject to its terms and conditions of sale available at www.Rmax.com.**

ECOMAXci® FR AIR BARRIER

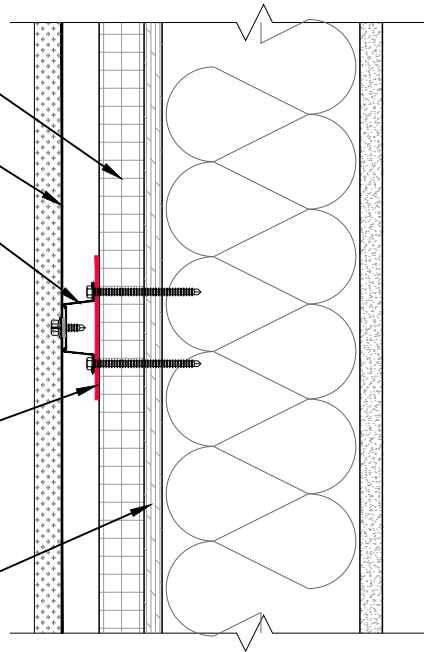
Profile style metal panel

Hat-channel (horizontal)

R-SEAL 6000

(or other common construction practice as required to maintain air/water barrier)

FRT wood sheathing as required



VERTICAL WALL SECTION

ECOMAXci® FR AIR BARRIER

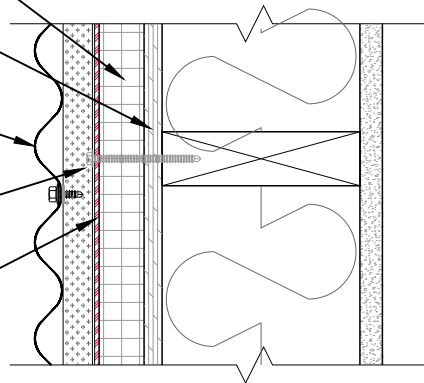
FRT wood sheathing as required

Profile style metal panel

Hat-channel (horizontal) beyond

R-SEAL 6000 beyond

(or other common construction practice as required to maintain air/water barrier)



HORIZONTAL PLAN SECTION

These details are graphical representation, not necessarily to scale and various features may be exaggerated. These details are intended to supplement the ECOMAXci® Wall Solution Installation Instructions located at www.Rmax.com, which should be consulted for additional guidance and installation requirements. Where discrepancies occur, the installation instructions supersede these details.



Rmax

2075 Midway Road
Lewisville, TX 75056
Phone: (972)-850-3604
Email: Technical@Rmax.com

DRAWING NAME:

METAL PANEL CLADDING - Profile Style Metal Panel (Vertical)
Universal Flashing
Attachment Details at Horizontal Hat-Channels

SCALE:
NOT TO SCALE

REV. DATE:
07-10-2023

SUBSTRATE GROUP:
FRT WOOD STUD

DRW. NO.:
EM-U-02-MP-27

As a manufacturer of construction materials, Rmax provides general details as a general guide for informational purposes only. These details are not intended to replace sound engineering and architectural practices and should not be relied upon for that purpose. Rmax assumes no liability with respect to the design of the system. The architect, consultant and/or engineer or design professional for a particular project bears the sole responsibility for the design of the system, for the preparation and approval of the project specifications, details and shop drawings, and for determining their suitability for a particular project or application. Rmax makes no warranty of any kind, either expressed or implied, as to the content of this guide detail. Rmax shall not be responsible under any legal theory to any third party for any direct or consequential damages of any kind arising from the use of this guide detail. All products and services provided by Rmax are subject to its terms and conditions of sale available at www.Rmax.com.

ECOMAXci® FR AIR BARRIER

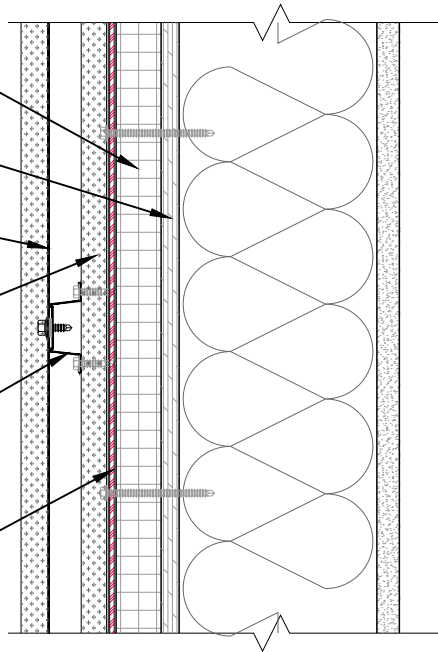
FRT wood sheathing as required

Profile style metal panel

Z-furring (vertical) beyond

Hat-channel (horizontal)

R-SEAL 6000 beyond
(or other common construction practice as required to maintain air/water barrier)



VERTICAL WALL SECTION

ECOMAXci® FR AIR BARRIER

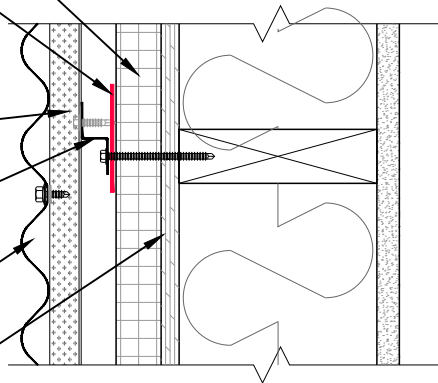
R-SEAL 6000
(or other common construction practice as required to maintain air/water barrier)

Hat-channel (horizontal) beyond

Z-furring (vertical)

Profile style metal panel

FRT wood sheathing as required



HORIZONTAL PLAN SECTION

These details are graphical representation, not necessarily to scale and various features may be exaggerated. These details are intended to supplement the ECOMAXci® Wall Solution Installation Instructions located at www.Rmax.com, which should be consulted for additional guidance and installation requirements. Where discrepancies occur, the installation instructions supersede these details.



Rmax

2075 Midway Road
Lewisville, TX 75056
Phone: (972)-850-3604
Email: Technical@Rmax.com

DRAWING NAME:

METAL PANEL CLADDING - Profile Style Metal Panel (Vertical)
Universal Flashing
Attachment Details at Horizontal Z-Furring and Vertical Hat-Channels

SCALE:
NOT TO SCALE

REV. DATE:
07-10-2023

SUBSTRATE GROUP:
FRT WOOD STUD

DRW. NO.:
EM-U-02-MP-28

As a manufacturer of construction materials, Rmax provides general details as a general guide for informational purposes only. These details are not intended to replace sound engineering and architectural practices and should not be relied upon for that purpose. Rmax assumes no liability with respect to the design of the system. The architect, consultant and/or engineer or design professional for a particular project bears the sole responsibility for the design of the system, for the preparation and approval of the project specifications, details and shop drawings, and for determining their suitability for a particular project or application. Rmax makes no warranty of any kind, either expressed or implied, as to the content of this guide detail. Rmax shall not be responsible under any legal theory to any third party for any direct or consequential damages of any kind arising from the use of this guide detail. All products and services provided by Rmax are subject to its terms and conditions of sale available at www.Rmax.com.